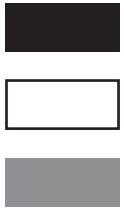


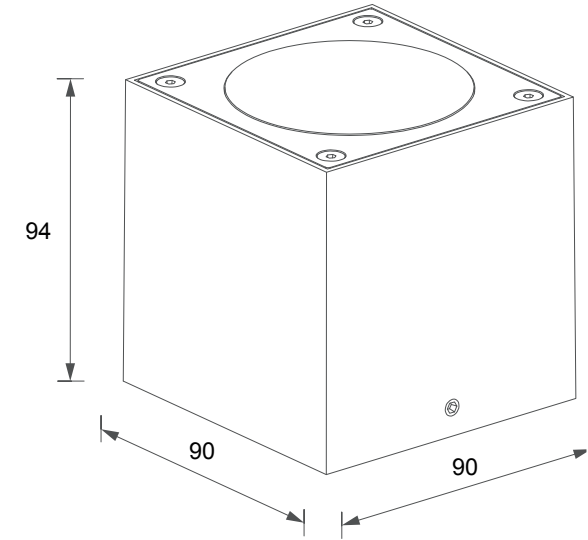
# RUNDEL QUADRO-C



view



1 overall dimensions



size

1



# RUNDEL QUADRO-C

LED outdoor ceiling-wall lighting 7W, IP65.

The luminaire has an interesting and recognizable design, but also is a compact and convenient solution for floodlighting and accentual lighting of entry elements. Suitable for use as outdoor lighting instead of devices with gas-discharge lamps. The driver and the power supply are located inside the housing.

<b>Housing:</b>	Pressure die-cast aluminum alloy with polyester powder paint. Body and glass are fitted with silicone sealants.
<b>Fasteners:</b>	Stainless steel, T=2.00mm
<b>Glass:</b>	tempered glass, 3.0 mm
<b>Optical system:</b>	Optical lens. Efficiency >85%
<b>Optics with angles:</b>	18°, 25°, 40°
<b>Housing color:</b>	Black, Grey, White
<b>Operating temperature:</b>	-40°C – +45°C (at startup: -20°C)
<b>Weight:</b>	1.22 kg
<b>Number of diodes (monochromatic)</b>	1X7W

Article	Name	Power, W	Dimensions, mm	Beam angle°	Light flow, lm	Color rendering index	Power factor (PF)
69507040	Rundel Quadro-C COB 7W 3000K 220V IP65	7 W	90 x 94 x 90	18°, 25°, 40°	373 lm	82	0,53
69507030	Rundel Quadro-C SMD 6W 220V IP65	6W	90 x 94	18°, 25°, 40°		82	