

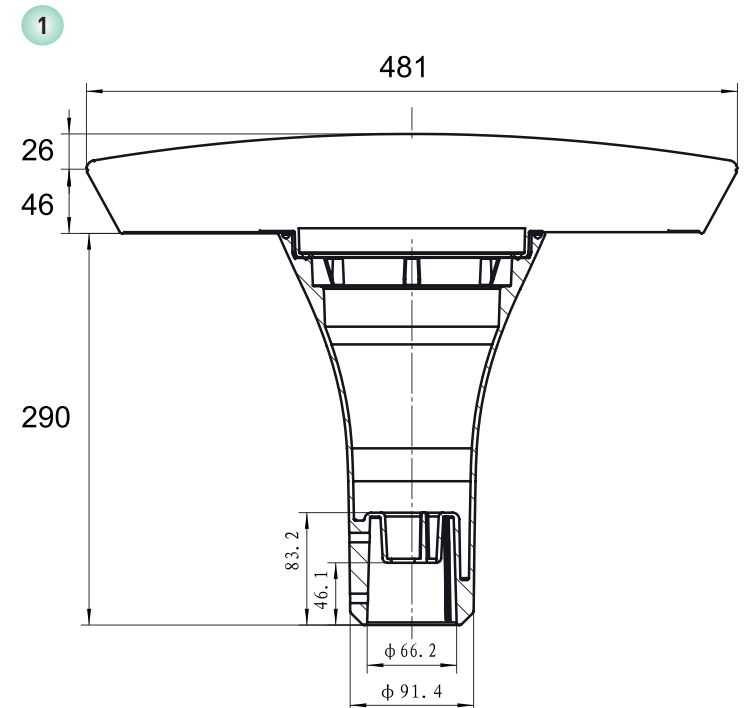
view



RAL

size

1 overall dimensions



BOLARD

Floor type lighting for mounting with pole in parks, squares.

| | |
|---------------------------------------|---|
| Housing: | Pressure die-cast aluminum alloy with polyester powder paint. |
| Mounting type: | to the pole up to d60mm |
| Beam angle: | 60°, 90°, 60x120°, 90x120° |
| Housing color: | Metallic, RAL |
| Color temperature, K: | 3000K, 4000K |
| Color rendering index, RA: | >70 |
| Control system: | Switch On\Off |
| Input voltage, V: | 220V |
| Ingress Protection Rating, IP: | IP66 |
| Operating temperature: | -40°C to +45°C |

| Article | Name | Power, W | Dimensions, mm | Input voltage, V | Beam angle, degrees | Color Temperature, K | Weight, kg |
|-----------|-----------------------------|----------|----------------|----------------------------|---------------------|----------------------|------------|
| 796050030 | BOLARD 50W 3000K 220V IP66 | 50W | 481x362 | 60°, 90°, 60x120°, 90x120° | 3000K | 220V | 12kg |
| 796050040 | BOLARD 50W 4000K 220V IP66 | 50W | 481x362 | 60°, 90°, 60x120°, 90x120° | 4000K | 220V | 12kg |
| 796060030 | BOLARD 75W 3000K 220V IP66 | 75W | 481x362 | 60°, 90°, 60x120°, 90x120° | 3000K | 220V | 12kg |
| 796060040 | BOLARD 75W 4000K 220V IP66 | 75W | 481x362 | 60°, 90°, 60x120°, 90x120° | 4000K | 220V | 12kg |
| 796090030 | BOLARD 100W 3000K 220V IP66 | 100W | 481x362 | 60°, 90°, 60x120°, 90x120° | 3000K | 220V | 12kg |
| 796090040 | BOLARD 100W 4000K 220V IP66 | 100W | 481x362 | 60°, 90°, 60x120°, 90x120° | 4000K | 220V | 12kg |