

GARNET GLOW GR XL



view

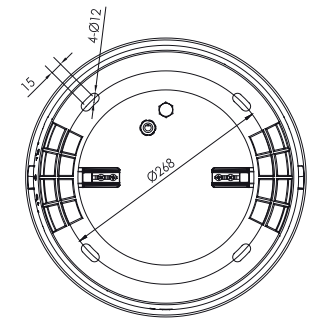
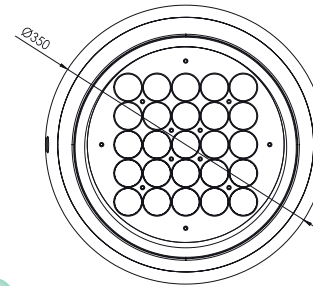
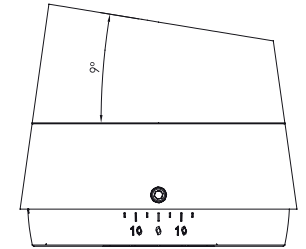
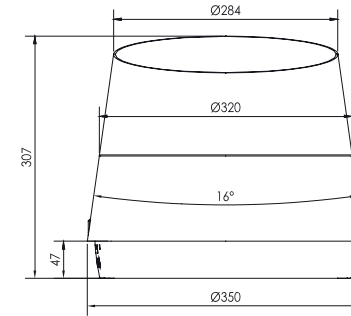


RAL



size

1 overall dimensions



1

GARNET GLOW GR XL

Multifunctional spotlight is suitable for architectural floodlighting and architectural lighting. Multichip 4-in-1 RGB+W, with the DMX-512+RDM control option, mounting version: on surface, to pillar.

Housing:	Pressure die-cast aluminum alloy with polyester powder paint
Fasteners:	Stainless steel, T=2.00mm
Glass:	tempered glass, 5.0 mm
Optical system:	lenses. Efficiency 85%
Housing color:	Black, RAL
Beam angle:	2.6°, 3.5°, 12°, 15°, 20°, 30°, 60°, 10x70°, 5x20°, 15x60°
Color temperature, K:	2700K, 4000K, 5000K, RGBW
Input voltage, V:	24V, 220V
Control system:	DALI, 1-10V, DMX-512, RDM, Switch On\Off
Ingress Protection Rating, IP:	IP66
Operating temperature:	-40°C ~ +50°C

Article	Name	Power, W	Dimensions, mm	Input voltage, V	Beam angle, degrees	Color temperature, K	Weight, kg
620120010	GARNET GLOW GR XL 120W 220V IP66 Single Color	120W	d284x307	220V	2.6°, 3.5°, 12°, 20°, 30°, 60°, 10x70°, 5x20°	2700K, 3000K, 4000K, 5000K	8kg
620150010	GARNET GLOW GR XL 150W 220V IP66 RGBW 4in1	150W	d284x307	36V, 220V	15°, 20°, 30°, 15x60°	RGBW	8kg
620200010	GARNET GLOW GR XL 200W 220V IP66 RGBW 4in1	200W	d284x307	36V, 220V	15°, 20°, 30°, 15x60°	RGBW	8kg