

# HUNT/HUNT MIRROR



view



HUNT

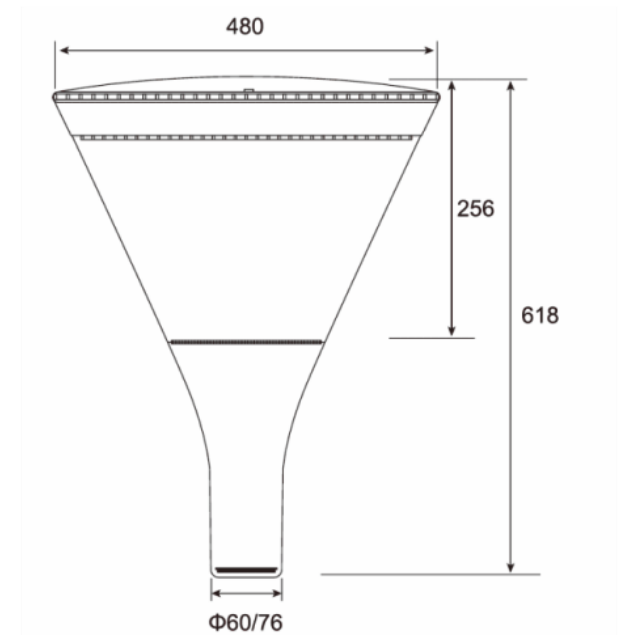


HUNT MIRROR



1 overall dimensions

size



1

# HUNT/ HUNT MIRROR

LED street lighting for lighting parks, squares, walking areas and car parks. The optical part has different beam angles and protected by a polycarbonate diffuser.

<b>Housing:</b>	Pressure die-cast aluminum alloy with polyester powder paint.
<b>Beam angle:</b>	60°, 90°, 120°, 60x90°, 90x120°, diffused light
<b>Housing color:</b>	Black, Grey
<b>Color temperature, K:</b>	3000K, 4000K
<b>Color rendering index, CRI:</b>	≥80
<b>Control system:</b>	Switch On\Off
<b>Input voltage, V:</b>	220V
<b>Ingress Protection Rating, IP:</b>	IP66
<b>Operating temperature:</b>	-40°C to +50°C (at startup: -20°C)

Article	Name	Power, W	Dimensions, mm	Input voltage, V	Beam angle, degrees	Color Temperature, K	Weight, kg
79801001	HUNT 50W 3000K IP66	50W	480x618	220V	60°, 90°, 120°, 60x90°, 90x120°	3000K	8kg
79802001	HUNT 50W 4000K IP66	50W	480x618	220V	60°, 90°, 120°, 60x90°, 90x120°	4000K	8kg
79803001	HUNT 80W 3000K IP66	80W	480x618	220V	60°, 90°, 120°, 60x90°, 90x120°	3000K	8kg
79804001	HUNT 80W 4000K IP66	80W	480x618	220V	60°, 90°, 120°, 60x90°, 90x120°	4000K	8kg
79805001	HUNT 100W 3000K IP66	100W	480x618	220V	60°, 90°, 120°, 60x90°, 90x120°	3000K	8kg
79806001	HUNT 100W 4000K IP66	100W	480x618	220V	60°, 90°, 120°, 60x90°, 90x120°	4000K	8kg
79807001	HUNT MIRROR 40W 3000K IP65	40W	480x618	220V	diffused light	3000K	8kg
79808001	HUNT MIRROR 40W 4000K IP66	40W	480x618	220V	diffused light	4000K	8kg
79809001	HUNT MIRROR 60W 3000K IP65	60W	480x618	220V	diffused light	3000K	8kg
79810001	HUNT MIRROR 60W 4000K IP66	60W	480x618	220V	diffused light	4000K	8kg