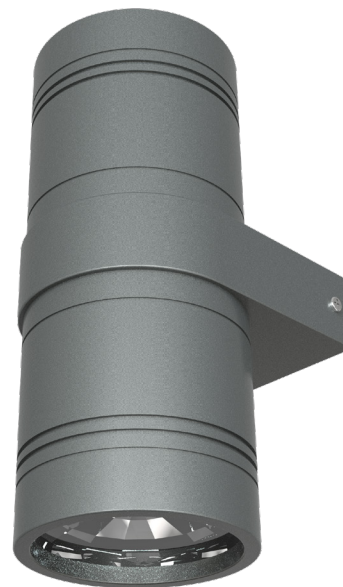


ROMUS SLIM



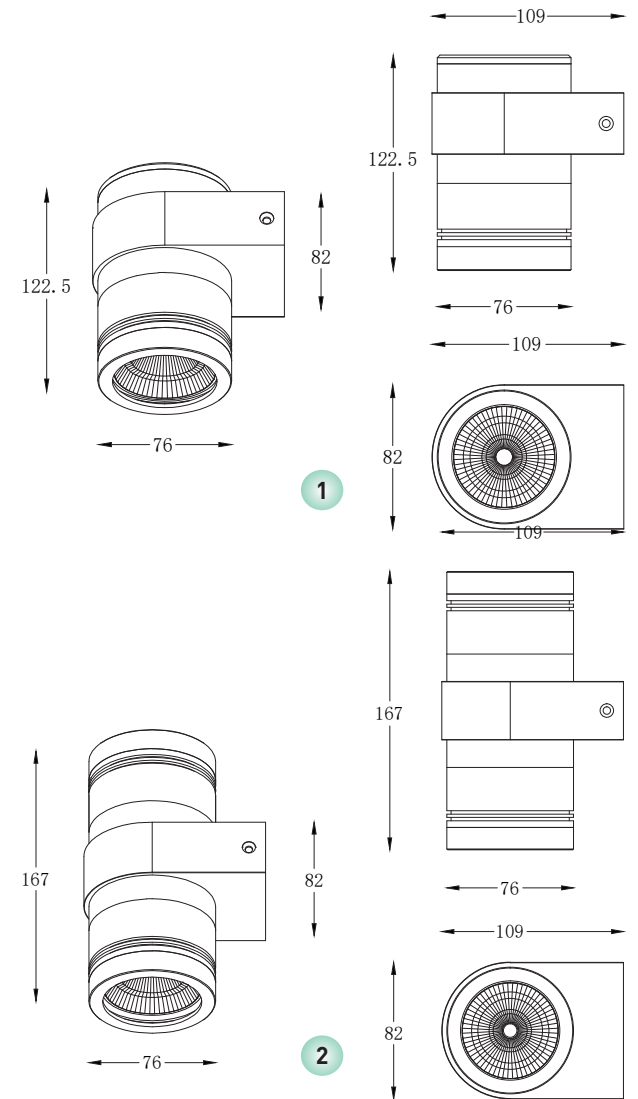
view



1 ROMUS SLIM SINGLE

2 ROMUS SLIM TWIN

size



ROMUS SLIM

Wall-mounted LED IP65 luminaire for floodlighting and accentual lighting. It can withstand the load on the outer part up to 2000 kg.

Housing:	Pressure die-cast aluminum alloy with polyester powder paint
Glass:	tempered glass, 6.0 mm
Optical system:	Efficiency 85%
Housing color:	Black, Brown, Silver
Beam angle:	24°
Color temperature, K:	3000K, 4000K, 5000K
Input voltage, V:	24V, 220V
Ingress Protection Rating, IP	IP65
Operating temperature:	-40°C ~ +40°C

Article	Name	Power, W	Dimensions, mm	Input voltage, V	Beam angle, degrees	Color temperature, K	Weight, kg
644010010	Romus Slim Single 1x10W 220V IP65	10W	d76x122,5	220V	24°	3000K, 4000K, 5000K	0.8kg
644010020	Romus Slim Single 1x10W 24V IP65	10W	d76x122,5	24V	24°	3000K, 4000K, 5000K	0.8kg
644016010	Romus Slim Twin 2x8W 220V IP65	16W	d76x167	220V	24°	3000K, 4000K, 5000K	1.1kg
644016020	Romus Slim Twin 2x8W 24V IP65	16W	d76x167	24V	24°	3000K, 4000K, 5000K	1.1kg