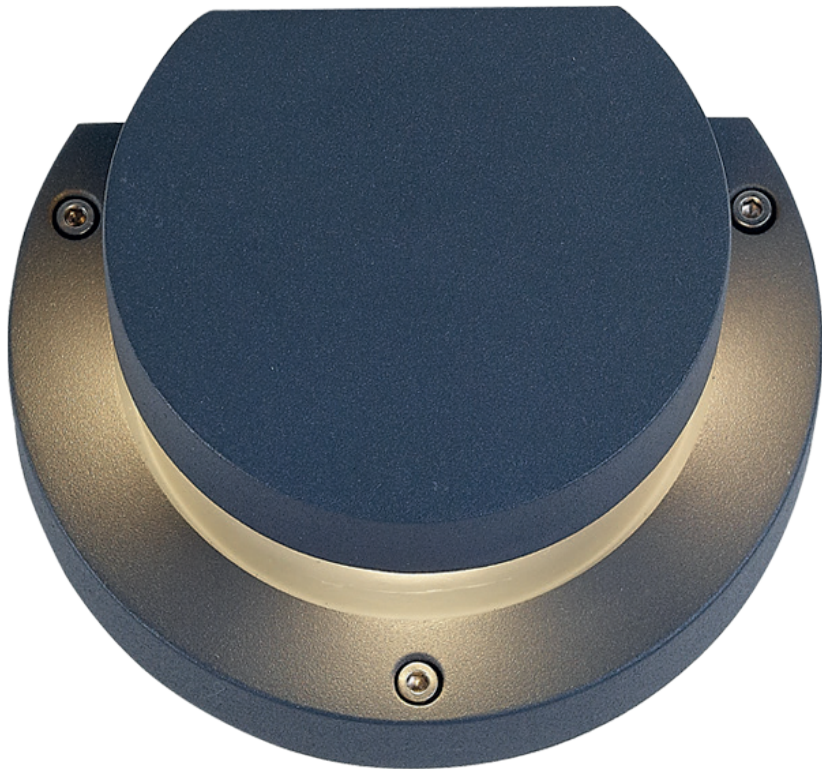
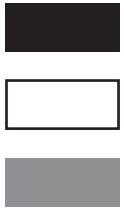


TONEL MINI

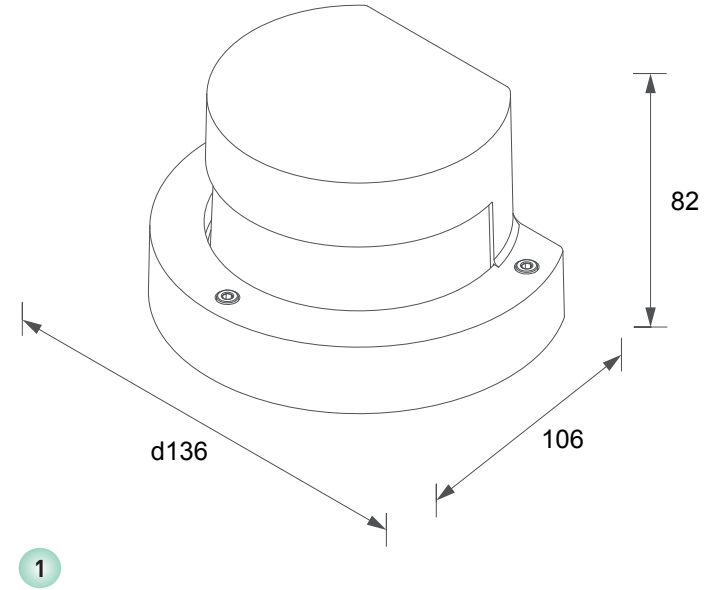


view



1 overall dimensions

size



TONEL MINI

LED outdoor wall-mounted lighting 3W, IP65.

The luminaire has an ergonomic and convenient design, and is suitable for accentual lighting.

Suitable for use as outdoor lighting. The driver and the power supply are located inside the housing.

Housing:	Pressure die-cast aluminum alloy with polyester powder paint. Body and glass are fitted with silicone sealants.
Fasteners:	Stainless steel, T=2.00mm
Glass:	tempered glass, 3.0 mm
Optical system:	Optical lens. Efficiency >85%
Optics with angles:	183°
Housing color:	Black, Grey, White
Operating temperature:	-40°C – +45°C (at startup: -20°C)
Weight:	2.63 kg
Number of diodes (monochromatic)	3X1W

Article	Name	Power, W	Dimensions, mm	Beam angle°	Light flow, lm	Color rendering index	Power factor (PF)
69503020	Tonel Mini 3W 3000K 220V IP65	3 W	136 x 106 x 82	183°	119 lm	80	0,53