

# ELFO

## USER MANUAL



The luminaire shall be installed by a qualified electrician and wired in accordance with the latest IEE electrical regulations or the national requirements.

# Installation Instructions

---

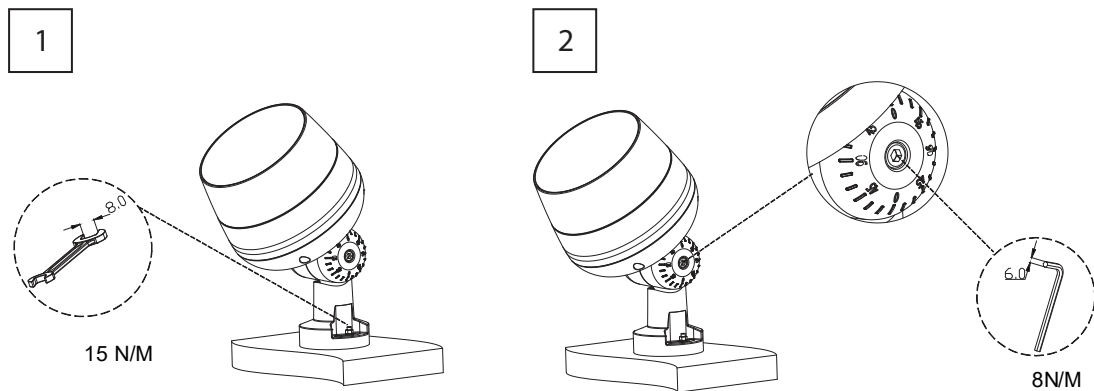
## A. Technical Parameters

Product name	ELFO
Product code	731
Input Voltage	AC 220V
Power	9W - 120W
Power Factor	>0.9
Beam Angle	3,5°, 5°, 7°, 15°, 25°, 40°, 60°
Color temperature	SINGLE COLOR, RGB 3in1, RGBW 4in1
Colour rendering index	>70 CRI
Working Environment	-40°C to +50°C
Dimensions	D125x110mm, D180x150mm, D240x170mm
Net weight	1.4 - 5.7 Kg
Control Mode	On/Off, DMX-512

# Installation Instructions

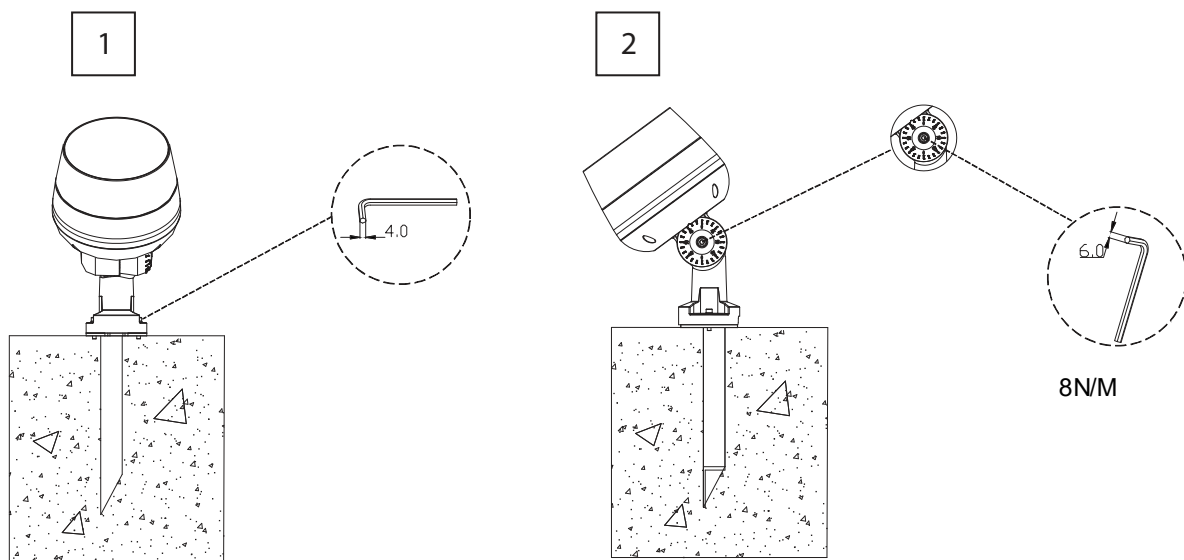
## Installation on the mounting surface

1. Install the floodlight on the mounting surface and fix it with the mounting screws, having obviously set the angle of rotation of the bracket as necessary.
2. Adjust the desired angle of rotation of the lamp and fix it.



## Installation on the ground

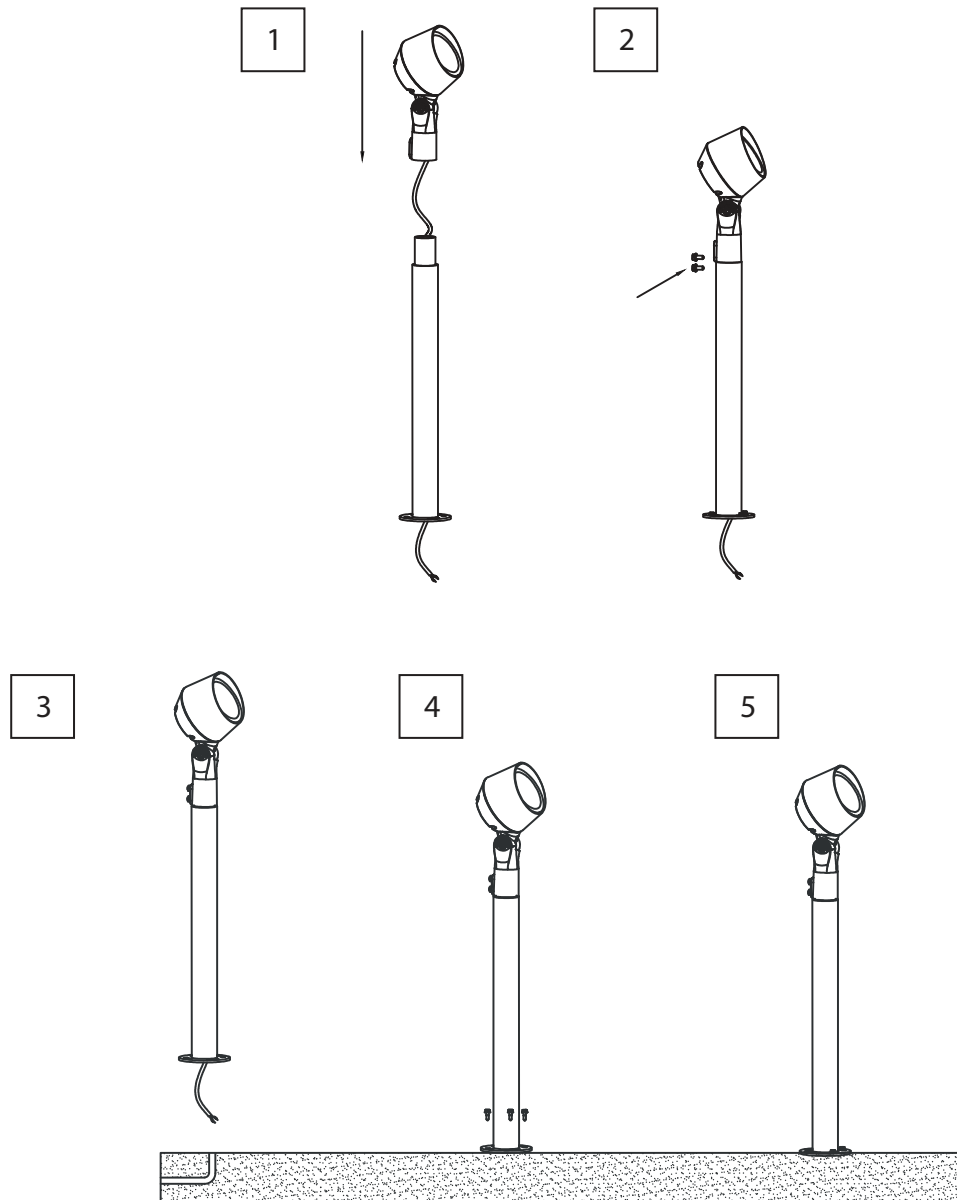
1. Install the floodlight on the ground and fix it with the mounting screws, having obviously set the angle of rotation of the bracket as necessary.
2. Adjust the desired angle of rotation of the lamp and fix it.



## Installation Instructions

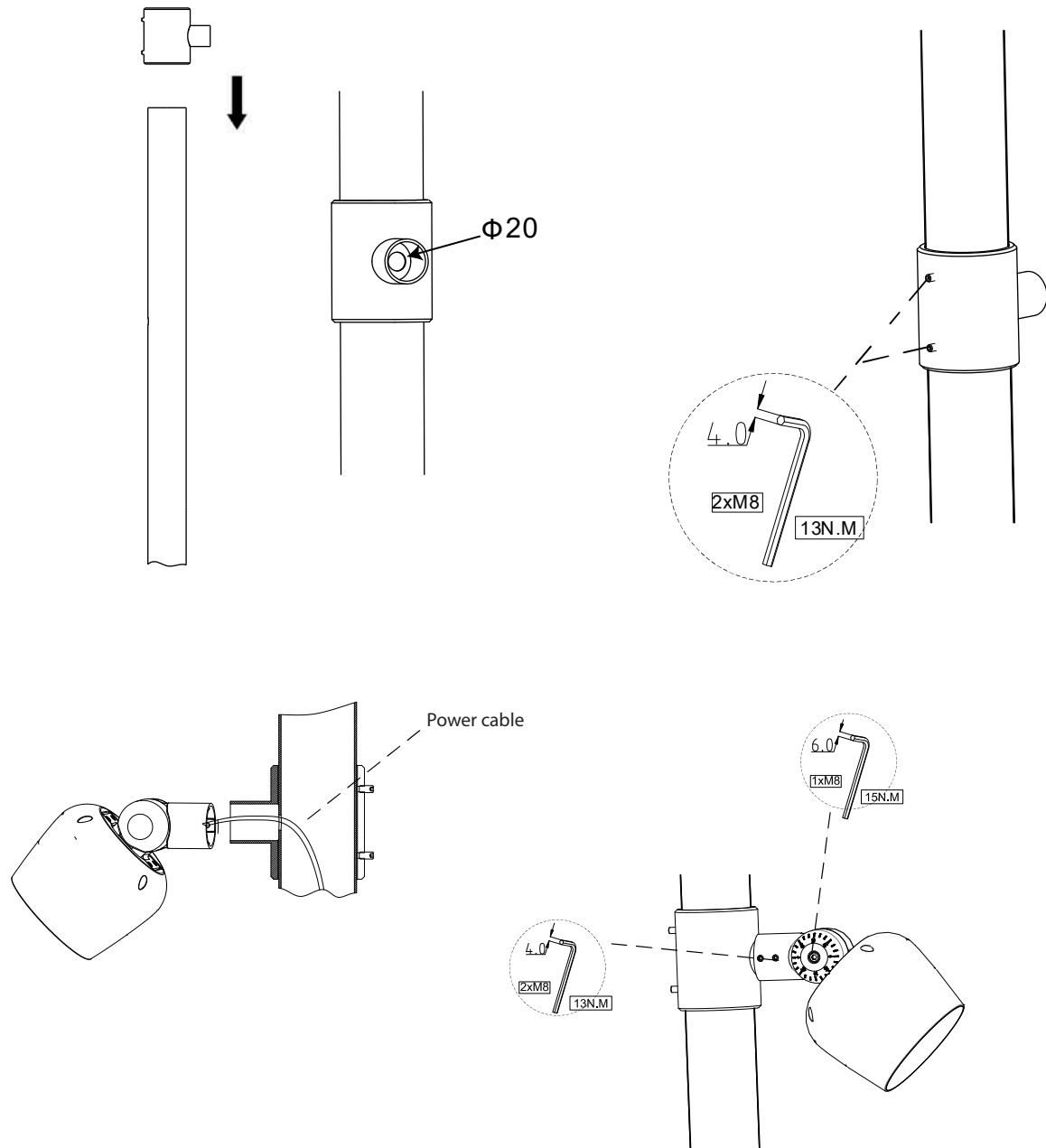
### Installation on the pole (For size S, M)

1. Install the floodlight on the support.
2. Fasten the luminaire to the support with screws.
3. Place the structure on the mounting surface.
4. Fix the support with the lamp with screws.
5. Done.



# Installation Instructions

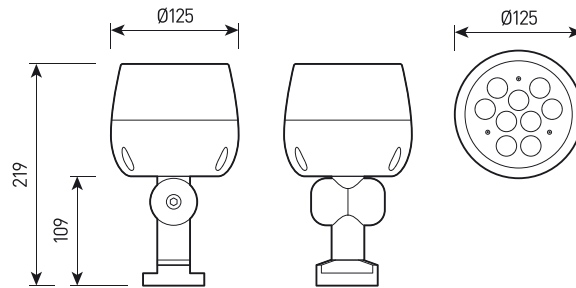
## Installation on the pole bracket holder



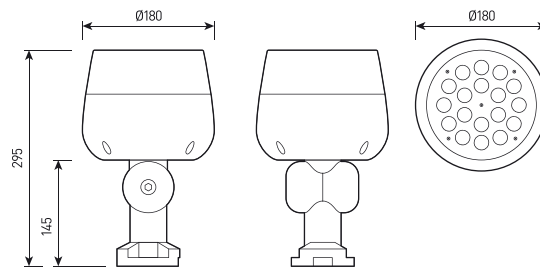
# Installation Instructions

## Overall dimensions

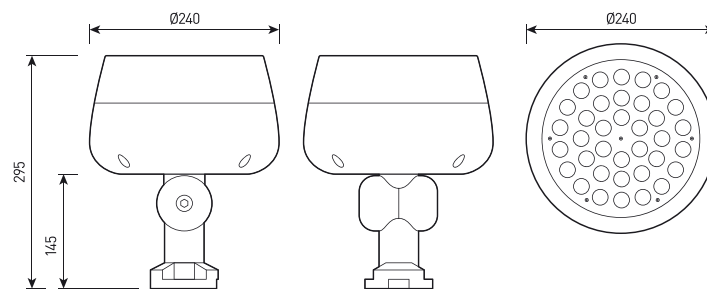
ELFO XS



ELFO S



ELFO M



# Installation Instructions

Pole mounting dimensoins (For S, M size)

