

GARNET GLOW

USER MANUAL



The luminaire shall be installed by a qualified electrician and wired in accordance with the latest IEE electrical regulations or the national requirements.

Installation Instructions

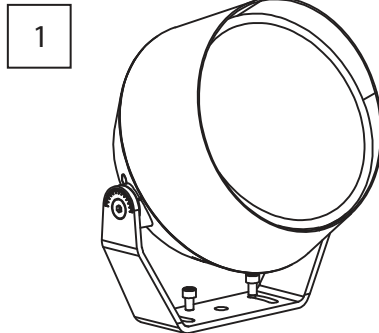
A. Technical Parameters

Product name	GARNET GLOW
Product code	622
Input Voltage	DC 24V, DC 36V, AC 220V
Power	9W - 200W
Power Factor	>0.9
Beam Angle	2.6°, 3.5°, 12°, 15°, 20°, 30°, 60°, 10x70°, 5x20°, 15x60°
Color temperature	SINGLE COLOR, RGB 3in1, RGBW 4in1, Tunable white
Colour rendering index	>70 CRI
Working Environment	-40°C to +50°C
Dimensions	158x173x133mm, 184x204x141mm, 222x237x165mm, 268x287x197mm, 328x355x222mm
Net weight	1.7 - 9.0 Kg
Control Mode	On/Off, 1-10V, DMX-512, DALI

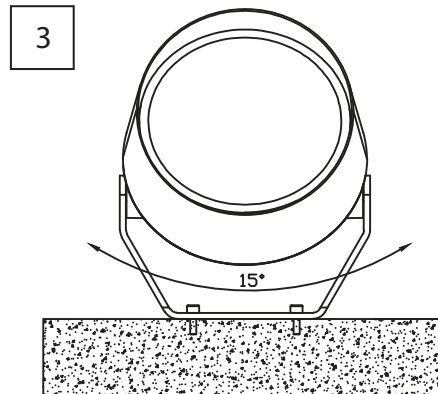
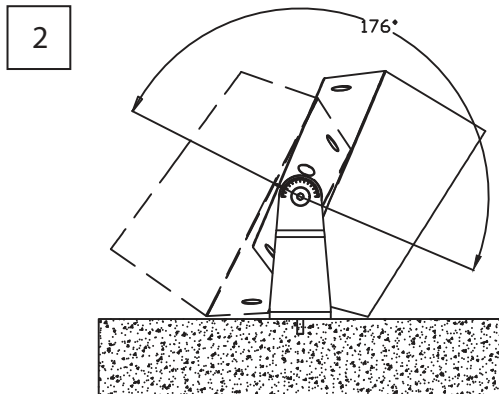
Installation Instructions

Installation on the mounting surface

1. According to step 1, 2, fix the bracket on the mounting surface.



2. According to step 3, connect the wire through the hole of the bracket and fix it.



3. According to step 2, 3, fix and adjust the bracket as your project needed.

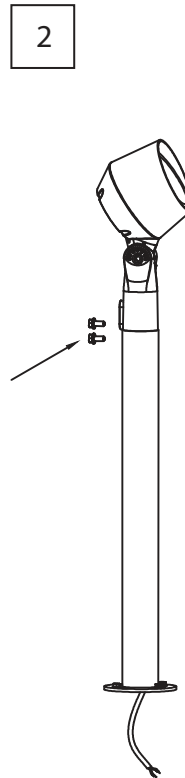
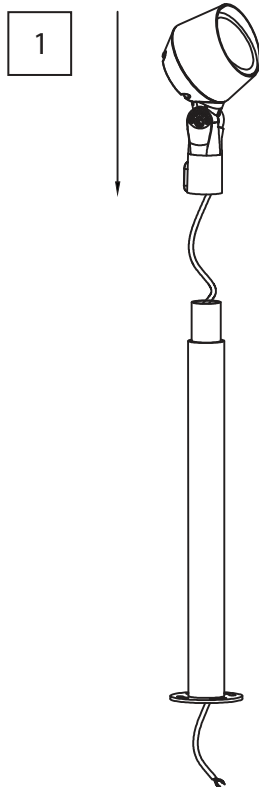
4. Notes

The fixture must get reliable connection with the mounting surface, any screws in the lamps should not be arbitrarily loosened. There is no special requirement on the installation direction.

Installation Instructions

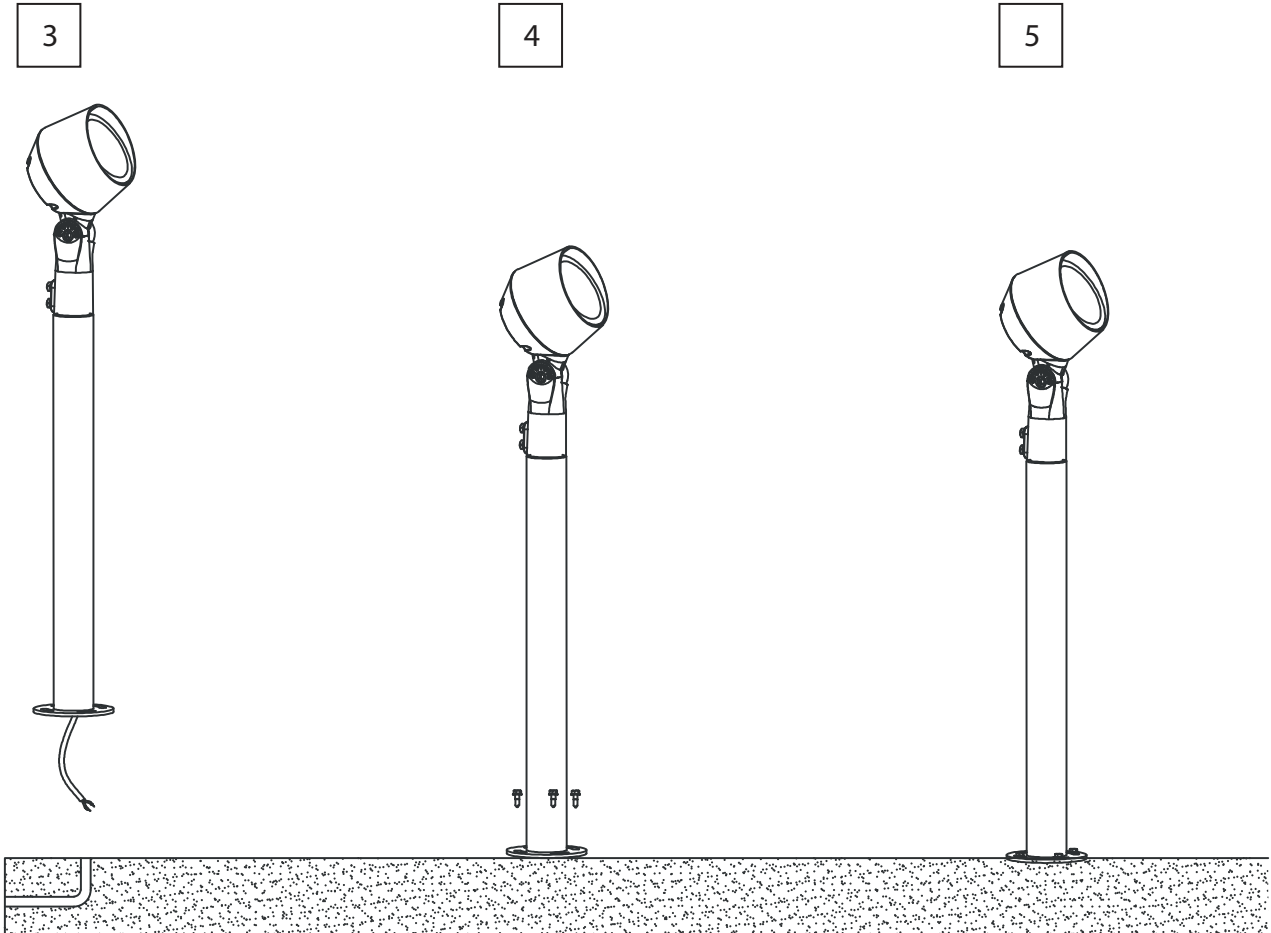
Installation on the pole

1. Install the floodlight on the support.
2. Fasten the luminaire to the support with screws.

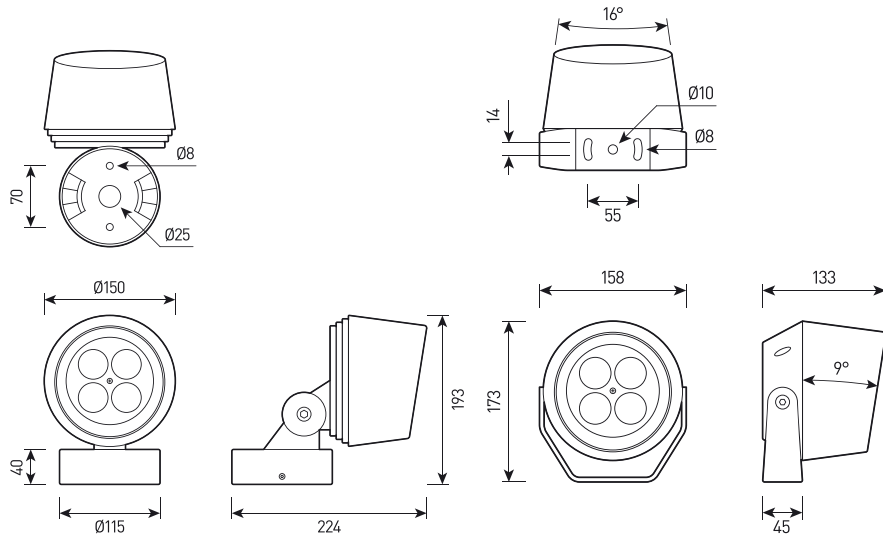


Installation Instructions

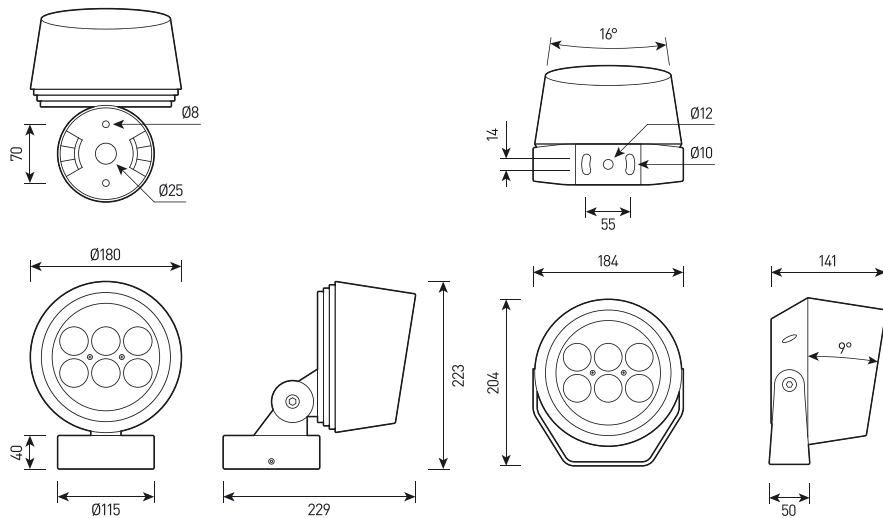
3. Place the structure on the mounting surface.
4. Fix the support with the lamp with screws.
5. Done.



Overall dimensions

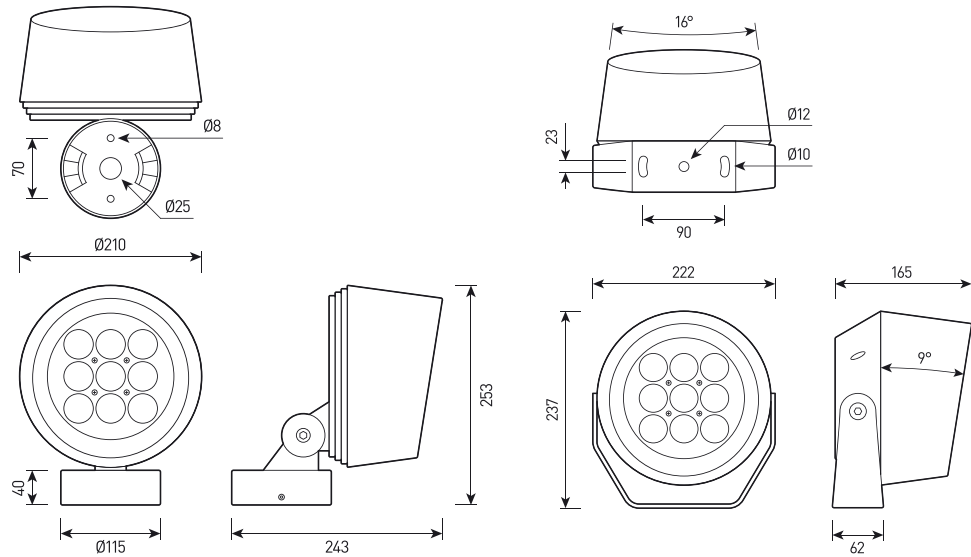


GARNET GLOW XS

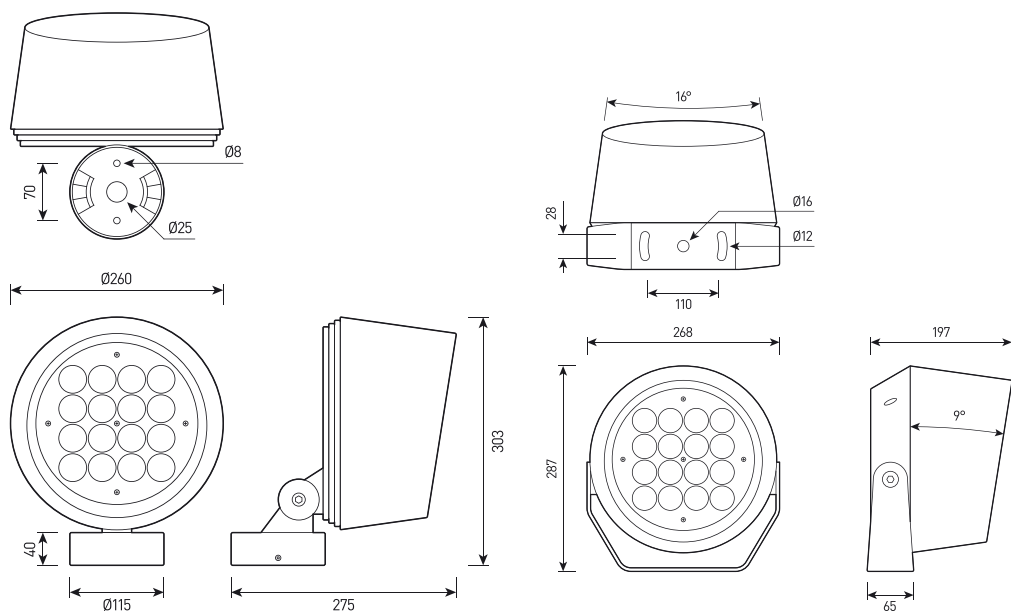


GARNET GLOW S

Overall dimensions

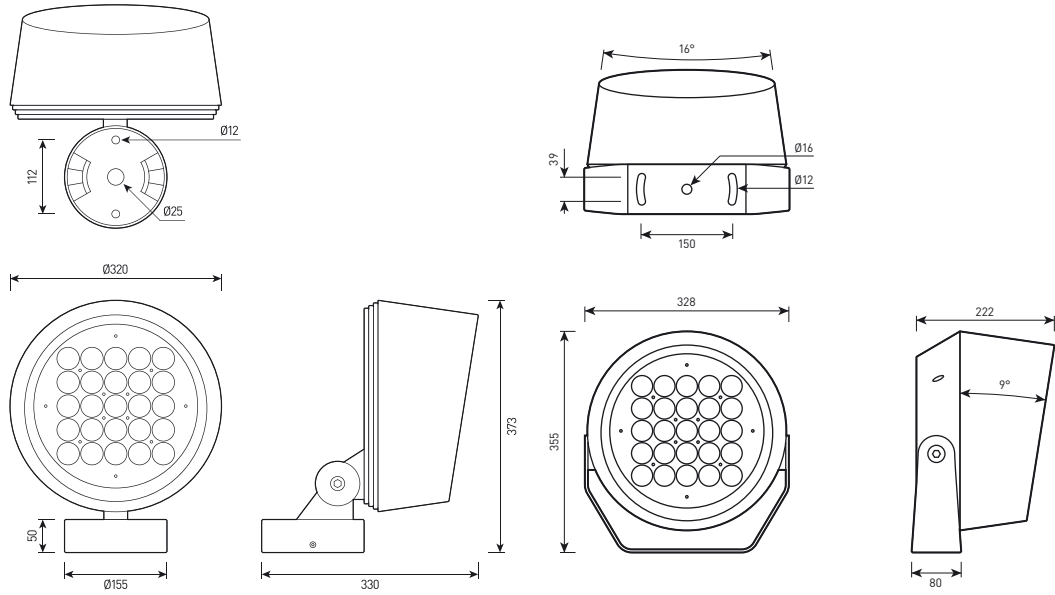


GARNET GLOW M

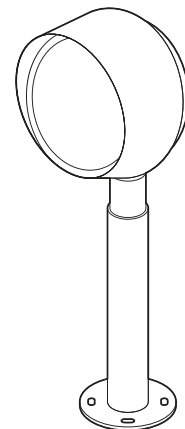
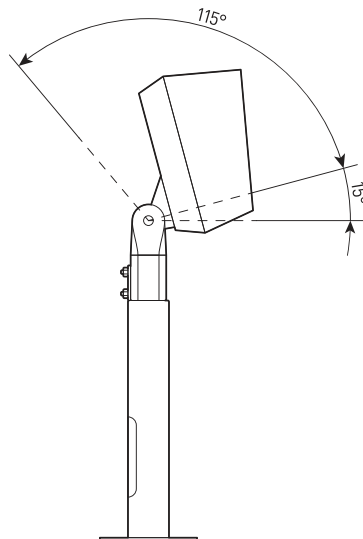
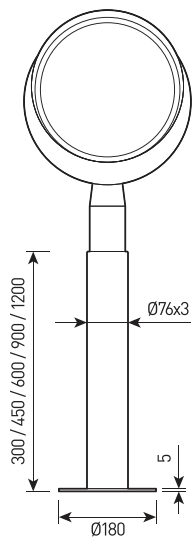
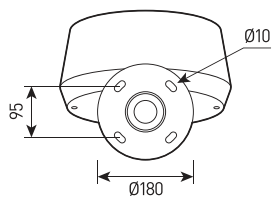


GARNET GLOW L

Overall dimensions



GARNET GLOW XL



POLE MOUNTING