

# GARNET GLOW S



## view



RAL

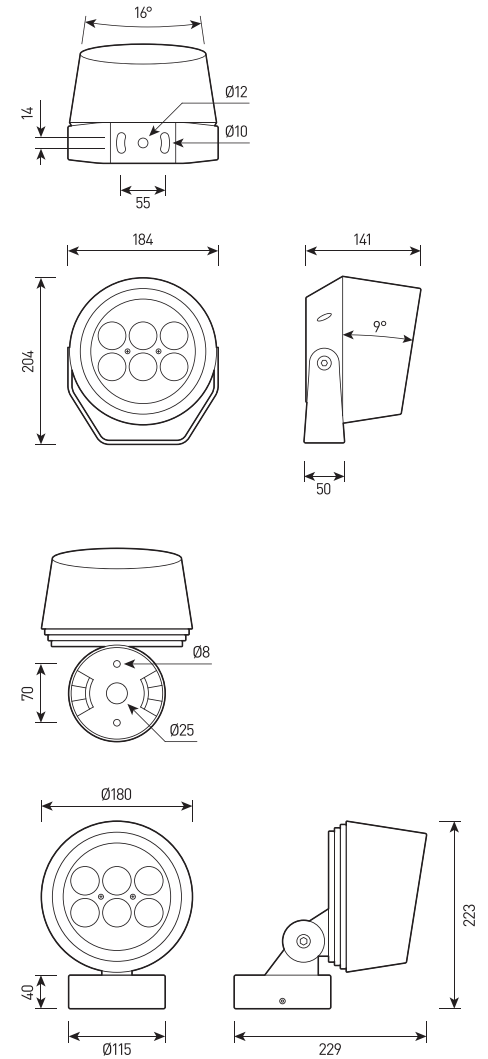


## 1 overall dimensions



## size

### 1



# GARNET GLOW S

Multifunctional spotlight for architectural lighting. Multichip 4-in-1 RGB+W Tunable White with DMX-512 operated, mounting version: on surface, to pillar

<b>Housing:</b>	Pressure die-cast aluminum alloy with polyester powder paint. Body and glass are fitted with silicone gaskets.
<b>Fasteners:</b>	Stainless steel, T=2.00mm
<b>Beam angle:</b>	2.6°, 3.5°, 12°, 15°, 20°, 30°, 60°, 10x70°, 5x20°, 15x60°
<b>Housing color:</b>	Black, Grey, RAL
<b>IES protection classes:</b>	Class I (SELV)
<b>Color temperature, K:</b>	2700K, 3000K, 4000K, 5000K, R, G, B, RGBW 4in1, Tunable white
<b>Input voltage, V:</b>	24V, 220V
<b>Control system:</b>	On/Off, 1-10V, DMX-512, DALI
<b>Ingress Protection Rating, IP:</b>	IP66
<b>Operating temperature:</b>	-40°C ~ +50°C
<b>Weight, kg:</b>	2.0 kg

Article	Name	Power, W	Dimensions, mm	Input voltage, V	Beam angle, degrees	Color temperature, K	Weight, kg
622030010	GARNET GLOW S 30W 100V-264V IP66 Single Color	30W	184x204x141	220V	2.6°, 3.5°, 12°, 20°, 30°, 60°, 10x70, 5x20	2700K, 3000K, 4000K, 5000K, R, G, B	2.0
622030015	GARNET GLOW S TW 30W 100V-264V IP66 DMX Tunable white 1800K - 6000K	30W	184x204x141	220V	2.6°, 3.5°, 12°, 20°, 30°, 60°, 10x70, 5x20	1800K-6000K Tunable white	2.0
622030020	GARNET GLOW S 30W DC24V-AC100-264V RGBW 4in1 IP66	30W	184x204x141	24V, 220V	15°, 20°, 30°, 15x60	RGBW	2.0