

HOVER M



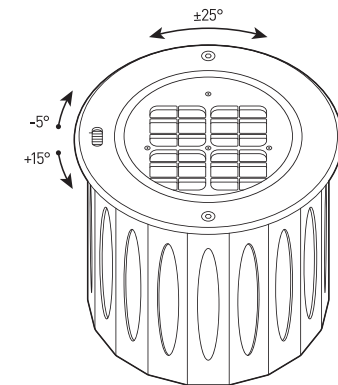
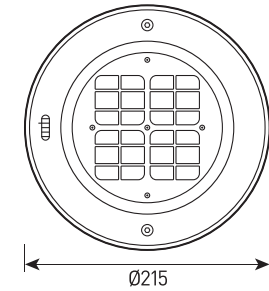
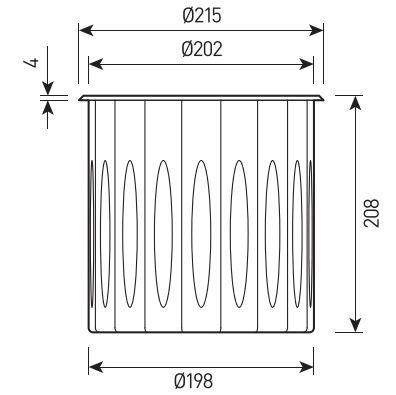
view



size

1 overall dimensions

1



HOVER M

Recessed ground luminaire with adjustable optical part, which allows directing the light flux to the object with optimal accuracy

Housing:	Pressure die-cast aluminum alloy with polyester powder paint. Body and glass are fitted with silicone gaskets.
Beam angle:	4.5°, 8°, 12°, 15°, 20°, 30°, 60°, 10x30°, 10x60°, 10x70°, 5x20°
Housing color:	Grey
IES protection classes:	Class I (SELV)
Color temperature, K:	2700K, 3000K, 4000K, 5000K, 6000K, R, G, B, RGB 3in1, RGBW 4in1, Tunable white
Input voltage, V:	24V, 220V
Control system:	On/Off, 1-10V, DMX-512, DALI
Ingress Protection Rating, IP:	IP67
Operating temperature:	-40°C ~ +50°C
Weight, kg:	2.5 kg

Article	Name	Power, W	Dimensions, mm	Input voltage, V	Beam angle, degrees	Color temperature, K	Weight, kg
791200124	HOVER M 40W 24V/220V IP67 Single color	40W	D215x208	24V, 220V	4,5°, 8°, 12°, 20°, 30°, 60°, 10x70°, 5x20°	2700K, 3000K, 4000K, 5000K, 6000K, R, G, B	2.5
791200126	HOVER M 40W 24V DMX-512 IP67 RGB 3 in 1	40W	D215x208	24V	15°, 20°, 30°, 10x30°, 10x60°	RGB	2.5
791200128	HOVER M 40W 24V DMX-512 IP67 RGBW 4 in 1	40W	D215x208	24V	15°, 20°, 30°, 10x30°, 10x60°	RGBW	2.5