

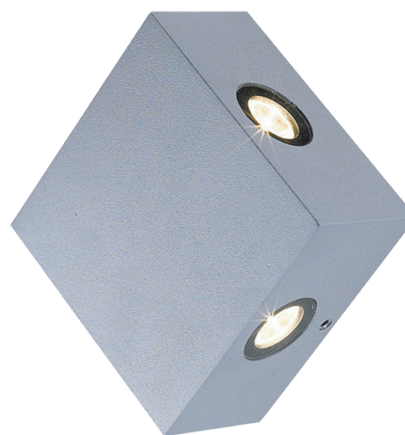
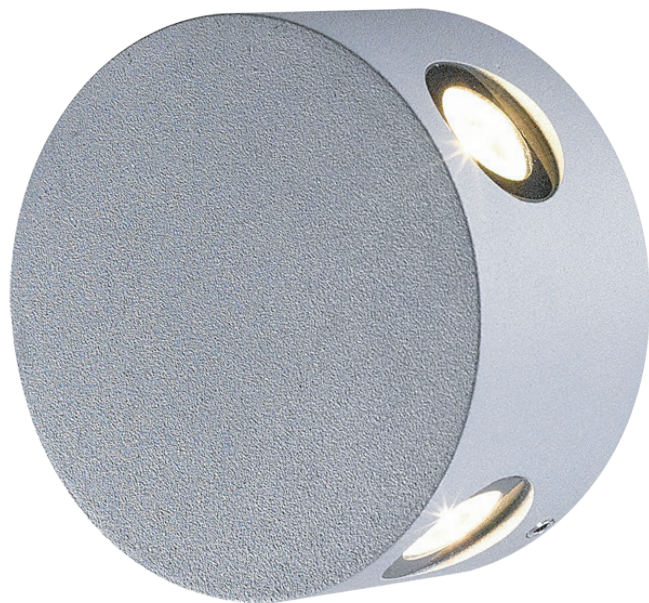
# LINKER QUADRO/ROUND



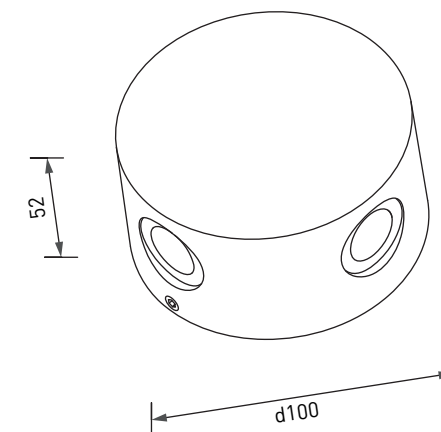
## view



- 1 LINKER ROUND
- 2 LINKER QUADRO

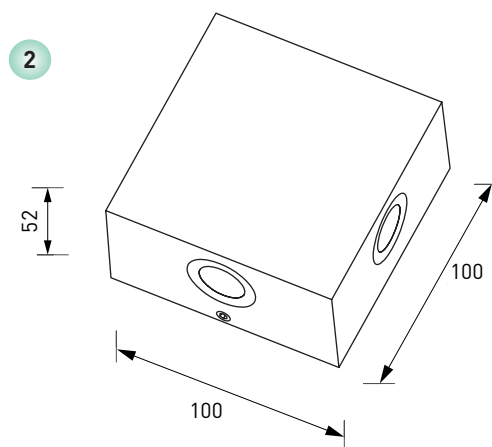


## size



1

2



# LINKER QUADRO/ROUND

LED outdoor wall-mounted lighting 4W, IP65.

The luminaire has an ergonomic and convenient design, and is suitable for accentual lighting.

Suitable for use as outdoor lighting. The driver and the power supply are located inside the housing.

<b>Housing:</b>	Pressure die-cast aluminum alloy with polyester powder paint. Body and glass are fitted with silicone sealants.
<b>Fasteners:</b>	Stainless steel, T=2.00mm
<b>Glass:</b>	tempered glass, 3.0 mm
<b>Optical system:</b>	Optical lens. Efficiency >85%
<b>Optics with angles:</b>	10°
<b>Housing color:</b>	Black, Grey, White
<b>Operating temperature:</b>	-40°C – +50°C (at startup: -20°C)
<b>Weight:</b>	0.55 kg/ 0.44 kg
<b>Number of diodes (monochromatic)</b>	1X4W

Article	Name	Power, W	Dimensions, mm	Beam angle°	Light flow, lm	Color rendering index	Power factor (PF)
69504010	Linker Quadro 4W 3000K 220V IP65	4 W	100 x 100 x 52	10°	321 lm	80	0,53
69504020	Linker Round 4W 3000K 220V IP65	4 W	Ø100 x 52	10°	321 lm	80	0,53