

NEO 1500 GOBO



view

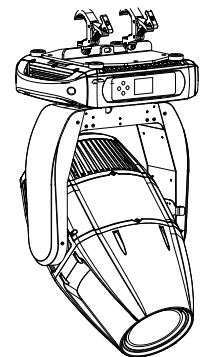
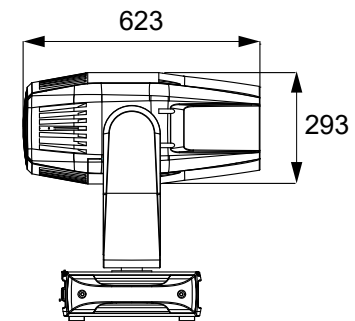
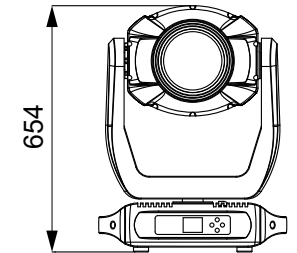
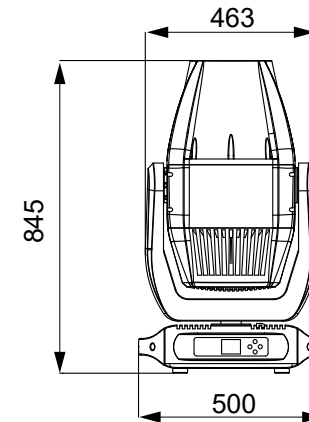


RAL



1 overall dimensions

1



size

NEO 1500 GOBO

OUTDOOR IP65 high power LED moving spot + profile with super efficient optic system, 17 times zoom 7-50°.

Max output 71000lx for 5m distance. Framing-cutting system can cut out any polygon, and with zoom, focus, prism, color wheel, CMY, rotation gobo wheel, iris, frost can supply high-quality beam colors and gobos. Animation wheel can create dynamic water and dynamic fire effect.

Designed for the outdoor permanent installation: theme park, big scale performance show, landmark building etc.

Housing:	Pressure die-cast aluminum alloy with polyester powder paint.
Beam angle:	7° - 50°
Vertical Rotation:	270°
Horizontal Rotation:	540°
Framing system:	8 filters
Static gobo wheel:	8 dichroic filters
Rotation gobo wheel:	7 dichroic filters
Rotation color wheel:	6 colors + CMY + CTO
	Flow effect, shake effect, bi-direction effect (clockwise and anticlockwise)
	for gobo wheel and for color wheel, also rainbow flow effect for color wheel
Animation wheel:	bi-direction effect, speed control
Housing color:	Black, White
Dimming:	from 0% to 100%
Input voltage, V:	220V
Control system:	DMX-512+RDM
Ingress Protection Rating, IP:	IP65
Operating temperature:	-40°C ~ +50°C
Cooling system:	Natural Convection
Guaranteed lifetime, hours:	>50 000h

Article	Name	Power, W	Dimensions, mm	Input voltage, V	Beam angle, degrees	Color temperature, K	Weight, kg
369130010	NEO 1500 GOBO 1300W DMX-512 RDM 220V IP66	1300W	463x845x623	220V	7° - 50°	6 colors + CMY + CTO	50.0 kg