

# NEO GOBO



## view

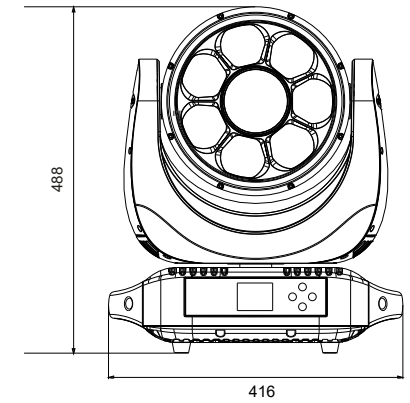
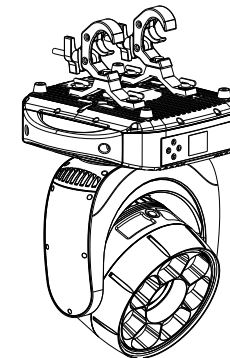
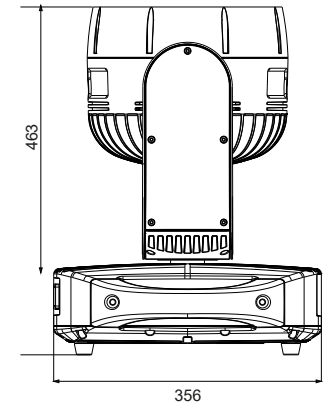
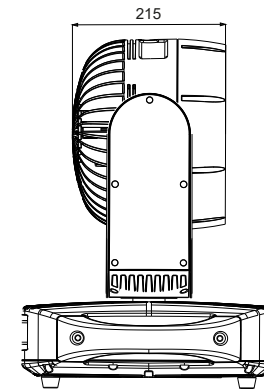


RAL



## 1 overall dimensions

## 1



## size

# NEO GOBO

Innovative OUTDOOR IP65 washing moving head, combined with 7x40W and 60W RGBW LED, one LED ring effect and great optics design. Built in HSIC system, mixing color much easier and faster, creating a brilliant color effect, extremely perfect dynamic effect by individual pixel control, wide zoom range from 5°-35°, compact size with a very light weight 23KG. Ideal products for outdoor concerts/events, commercial complex, theme park, amusement park and landmark building.

<b>Housing:</b>	Pressure die-cast aluminum alloy with polyester powder paint.
<b>Beam angle (small prism):</b>	5° - 35°
<b>Beam angle (big prism):</b>	35°
<b>Prism rotation:</b>	bi-direction (clockwise and anticlockwise)
<b>Vertical Rotation:</b>	270°
<b>Horizontal Rotation:</b>	540°
	You can control the speed of rotation.
<b>Housing color:</b>	Black, White, RAL
<b>Color temperature, K:</b>	RGBW + kaleidoscope effect
<b>Dimming:</b>	from 0% to 100%
<b>Input voltage, V:</b>	220V
<b>Control system:</b>	DMX-512+RDM
<b>Ingress Protection Rating, IP:</b>	IP65
<b>Operating temperature:</b>	-40°C ~ +50°C
<b>Cooling system:</b>	Natural Convection
<b>Guaranteed lifetime, hours:</b>	>50 000 h

Article	Name	Power, W	Dimensions, mm	Input voltage, V	Beam angle, degrees	Color temperature, K	Weight, kg
369380080	NEO GOBO 380W DMX RDM RGBW 220V IP65	380W	215x488x416	220V	5° - 35°	RGBW + kaleidoscope effect	23.0