

# POINTER

## USER MANUAL



The luminaire shall be installed by a qualified electrician and wired in accordance with the latest IEE electrical regulations or the national requirements.

# Installation Instructions

---

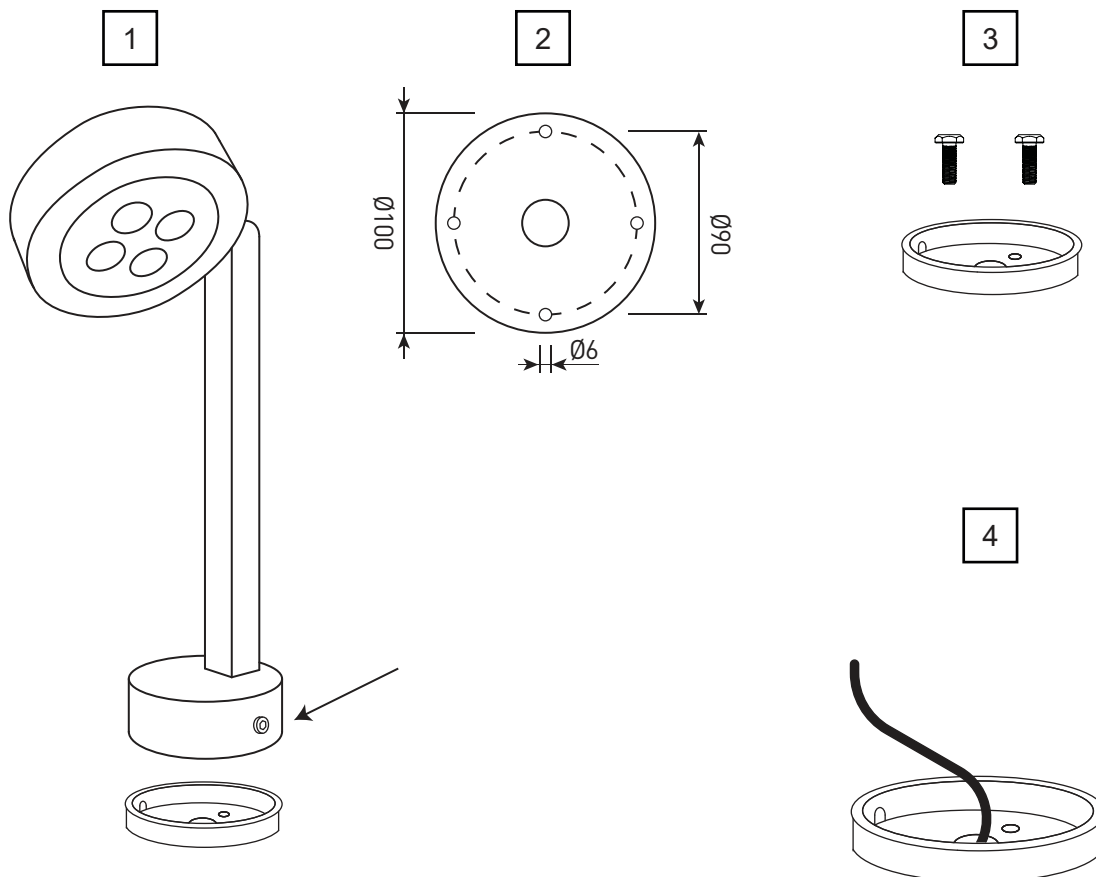
## A. Technical Parameters

Product name	POINTER
Product code	692
Input Voltage	AC 220V
Power	11W
Power Factor	>0.9
Beam Angle	18°
Color temperature	SINGLE COLOR
Colour rendering index	>80 CRI
Working Environment	-40°C to +50°C
Dimensions	180x303mm, 180x500mm, 180x173mm
Net weight	1.6 - 2.3 Kg
Control Mode	On/Off

## Installation Instructions

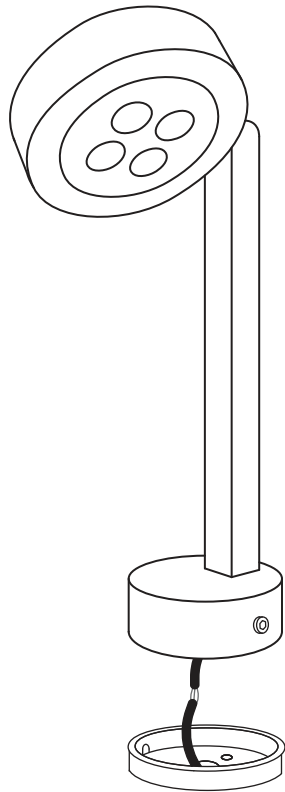
1. Loosen the set screw, remove the mounting plate.
2. Drill four holes in the mounting surface, according to the location of the holes on the mounting plate.
3. Use hardware to secure the mounting plate to the surface.
4. Drill a hole in the mounting surface, thread the lamp's power cable through the center hole, or remove the cable.
5. Connect the cable of the lamp and the power supply, observing the tightness of the connection, install the lamp on the mounting plate and fix it with the mounting screw.
6. Adjust the angle of the LED unit.

Notes: - There are no special requirements for the installation direction. - When receiving the device, check the article, color temperature, protection class, power cable.

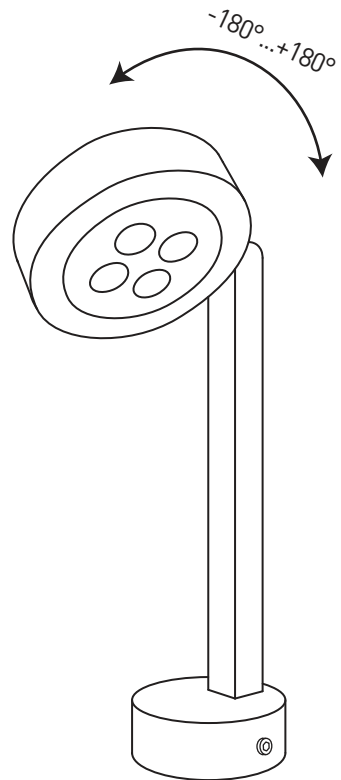


## Installation Instructions

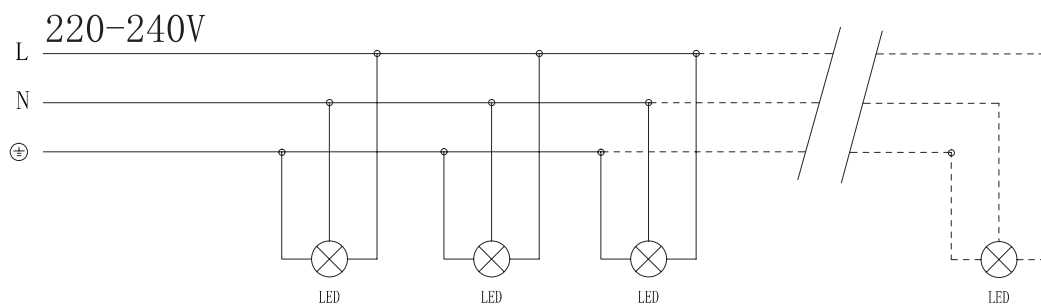
5



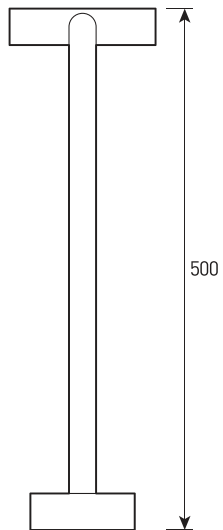
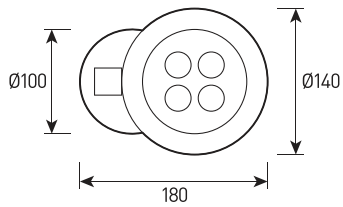
6



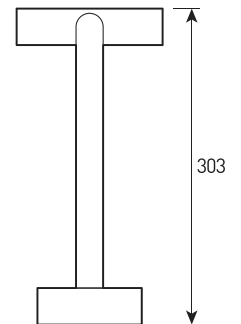
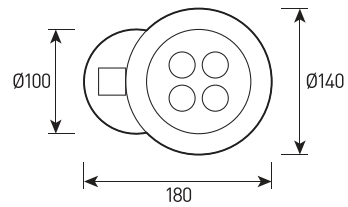
### Example wiring diagram



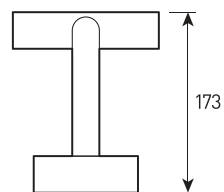
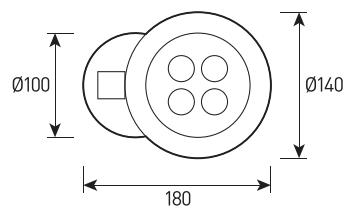
## Overall dimensions



POINTER 500MM



POINTER 303MM



POINTER 173MM