

ROMUS SLIM

USER MANUAL



The luminaire shall be installed by a qualified electrician and wired in accordance with the latest IEE electrical regulations or the national requirements.

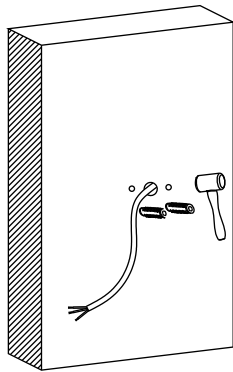
Installation Instructions

A. Technical Parameters

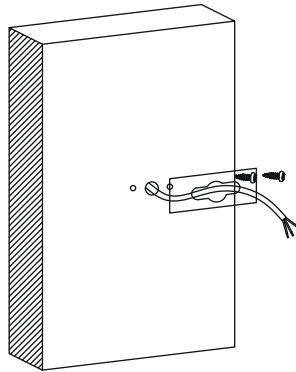
Product name	ROMUS SLIM
Product code	644
Input Voltage	DC 24V, AC 220V
Power	10 - 16W
Power Factor	>0.9
Beam Angle	24°
Color temperature	SINGLE COLOR
Colour rendering index	>70 CRI
Working Environment	-40°C to +50°C
Dimensions	D76x122.5mm, D76x167mm
Net weight	0.8 - 1.1 Kg
Control Mode	On/Off

Installation Instructions

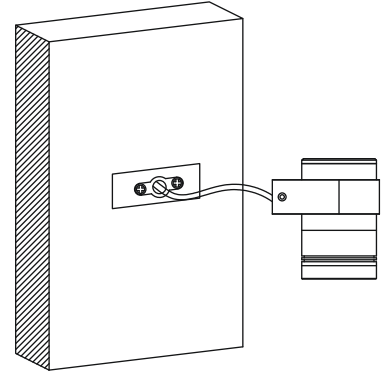
1. Drill two holes on the wall where you are about to install the lighting fixture .Then put two rubber plug into the holes respectively by using a hammer.
2. Fix the bracket on the wall with two steel screw. Make sure the cable get through the hole in the middle of it.
3. Connect the lighting fixture with the cable which is been prepared for the installation previously.
4. Fasten the luminaire to the support with screws.



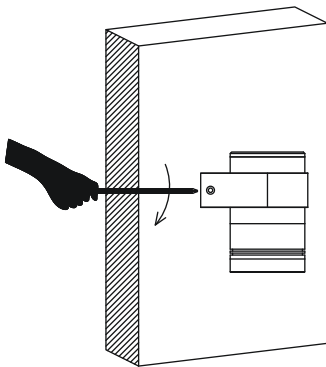
1



2



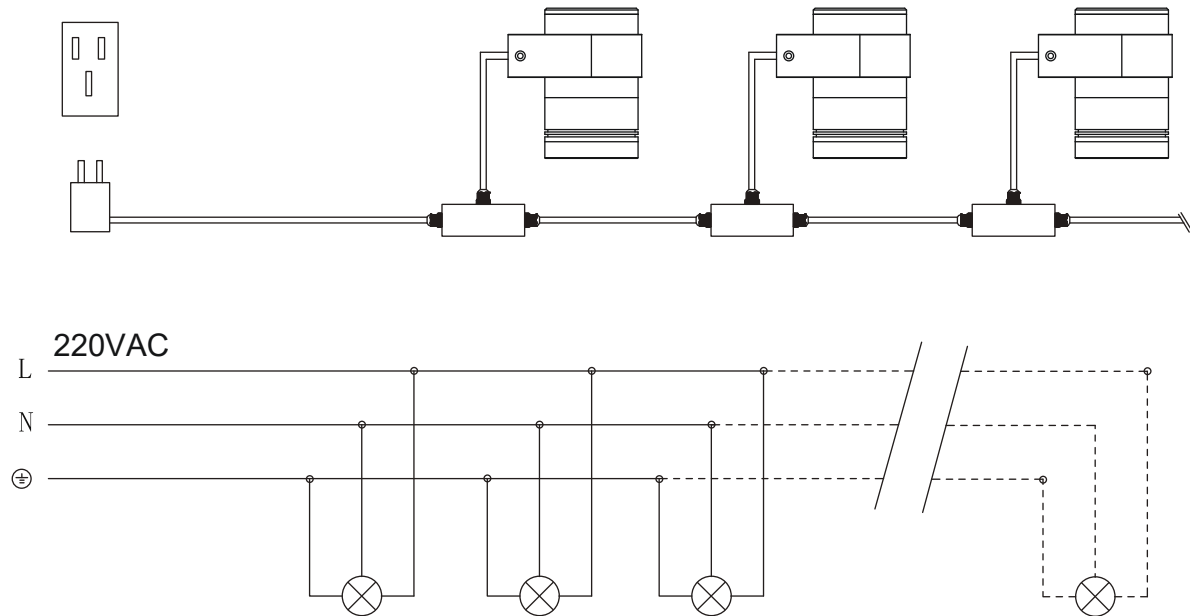
3



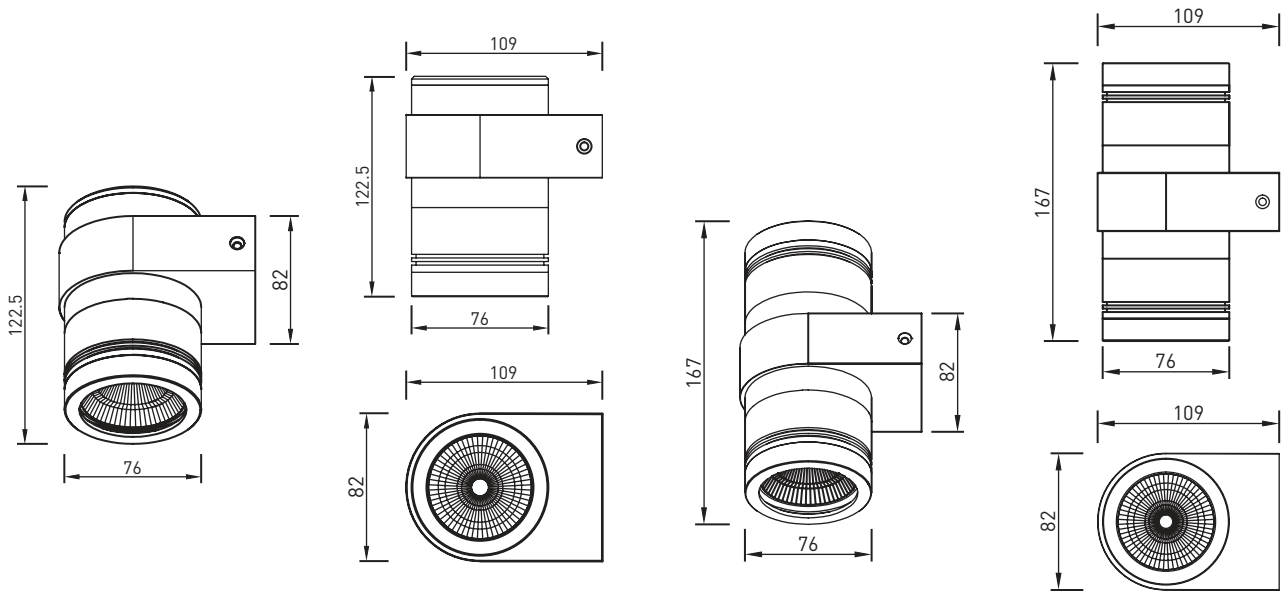
4

Installation Instructions

Example wiring diagram



Overall dimensions



ROMUS SLIM SINGLE

ROMUS SLIM TWIN

