

SKIFF TWIN M



view

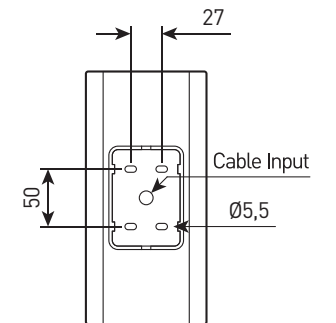
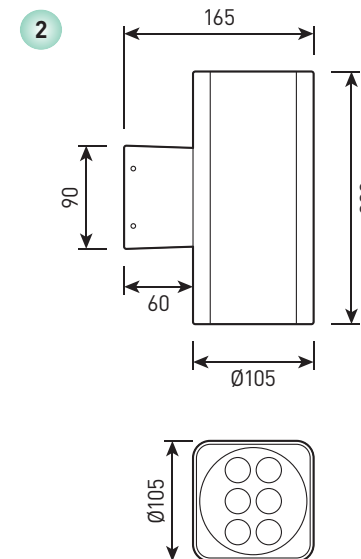
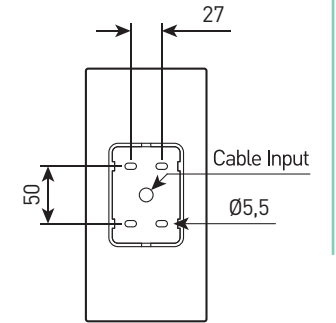
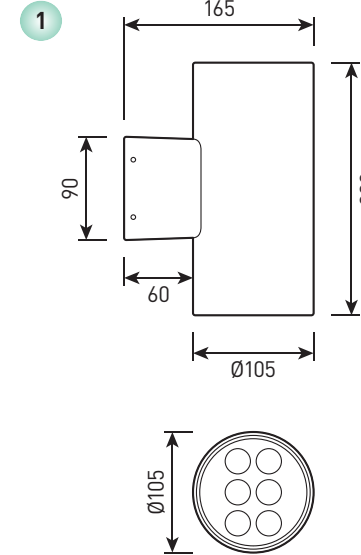


1 SKIFF TWIN M

2 SKIFF TWIN M QUADRO



size



SKIFF TWIN M

LED wall luminaire for architectural lighting

Housing:	Pressure die-cast aluminum alloy with polyester powder paint
Beam angle:	5°, 8°, 10°, 12°, 25°, 40°, 60°, 15x55°
Housing color:	Black, White, RAL
IES protection classes:	Class I (SELV)
Color temperature, K:	2700K, 3000K, 4000K, 5000K, 5700K, 6500K, RGB 3in1, RGBW 4in1
Input voltage, V:	24V, 220V
Control system:	On/Off, 0-10V, DALI, DMX-512
Ingress Protection Rating, IP:	IP65
Operating temperature:	-40°C ~ +50°C
Weight, kg:	2.5 kg

Article	Name	Power, W	Dimensions, mm	Input voltage, V	Beam angle, degrees	Color temperature, K	Weight, kg
644012100	SKIFF M TWIN 2X18W SINGLE 220V IP65	36W	D105x220	220V	5°, 8°, 10°, 12°, 25°, 40°, 60°, 15X55°	2700K, 3000K, 4000K, 5000K, 5700K, 6500K	2.5
644012102	SKIFF M TWIN 2X18W DMX-512 RGB 3in1 24V IP65	36W	D105x220	24V	25°, 40°, 60°	RGB	2.5
644012104	SKIFF M TWIN 2X24W DMX-512 RGBW 4in1 24V IP65	48W	D105x220	24V	25°, 40°, 60°	RGBW	2.5
644012106	SKIFF M TWIN QUADRO 2X18W SINGLE 220V IP65	36W	105x105x220	220V	5°, 8°, 10°, 12°, 25°, 40°, 60°, 15X55°	2700K, 3000K, 4000K, 5000K, 5700K, 6500K	2.5
644012108	SKIFF M TWIN QUADRO 2X18W DMX-512 RGB 3in1 24V IP65	36W	105x105x220	24V	25°, 40°, 60°	RGB	2.5
644012110	SKIFF M TWIN QUADRO 2X24W DMX-512 RGBW 4in1 24V IP65	48W	105x105x220	24V	25°, 40°, 60°	RGBW	2.5