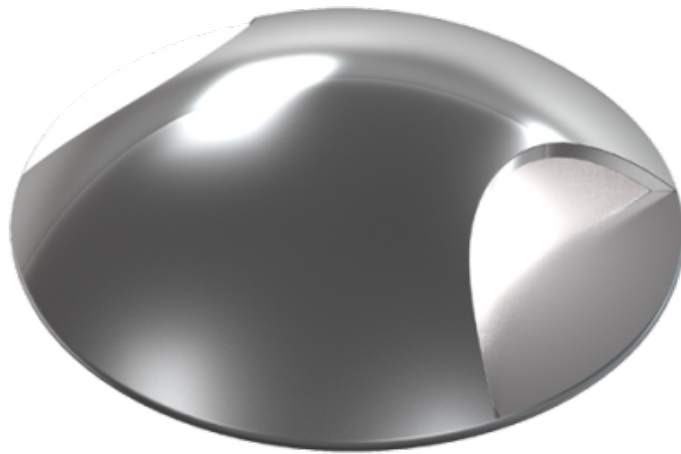


ZIBO

USER MANUAL



The luminaire shall be installed by a qualified electrician and wired in accordance with the latest IEE electrical regulations or the national requirements.

Installation Instructions

A. Technical Parameters

| | |
|------------------------|-----------------|
| Product name | ZIBO |
| Product code | 793 |
| Input Voltage | DC 24V, AC 220V |
| Power | 3 - 8W |
| Power Factor | >0.9 |
| Beam Angle | 120° |
| Color temperature | SINGLE COLOR |
| Colour rendering index | >70 CRI |
| Working Environment | -40°C to +50°C |
| Dimensions | D90x92mm |
| Net weight | 0.85 Kg |
| Control Mode | On/Off |

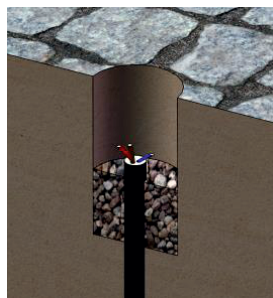
Installation Instructions

In accordance with step 1, before installing the mounting cup in the ground, place a sand cushion with a depth of at least 20 cm in the mounting hole.

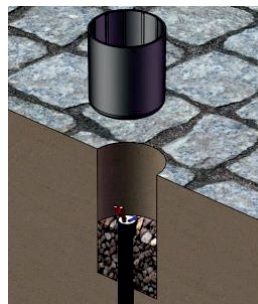
In accordance with step 2, install the mounting cup.

According to step 3, install the lamp in the mounting cup.

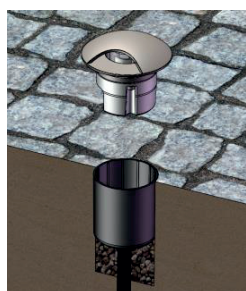
According to step 4, fix the lamp in the mounting cup.



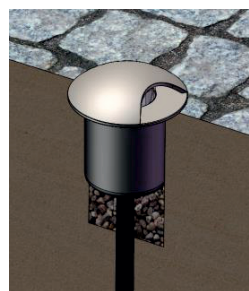
1



2



3

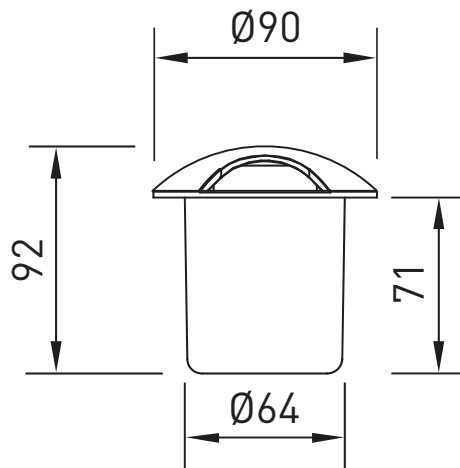


4

Notes:

- The mounting cup must be securely connected to the body of the luminaire, any screws should not be arbitrarily loosened.
- There are no special requirements for the installation direction.
- When receiving the device, check the article, color temperature, protection class, power cable.

Overall dimensions



D90x92