

# APOLLO S/M



## view



RAL

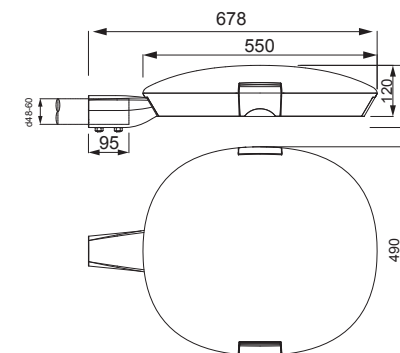


- 1 APOLLO S
- 2 APOLLO M

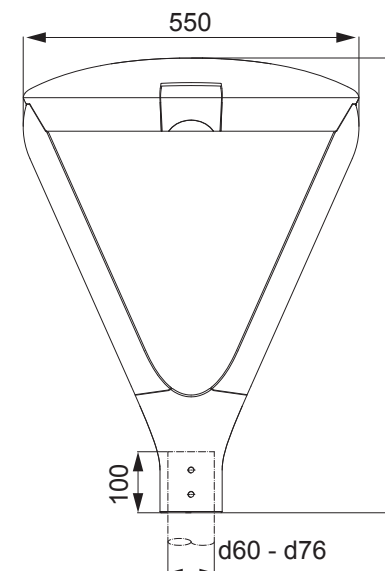


## size

1



2



# APOLLO S/M

Pendant street lighting for mounting on the tensioned metal cable in parks, streets and city areas with the wide range of light distribution types.

<b>Housing:</b>	Pressure die-cast aluminum alloy with polyester powder paint.
<b>Beam angle:</b>	150x75, 145x130, 150x105, 160x60, 150x70, 155x55, 120x15
<b>Housing color:</b>	Black, Grey, RAL
<b>Color temperature, K:</b>	3000K - 5000K
<b>Color rendering index, CRI:</b>	>70
<b>IK:</b>	10
<b>Power factor:</b>	>0.9
<b>Control system:</b>	Switch On\Off
<b>Input voltage, V:</b>	220V
<b>Ingress Protection Rating, IP:</b>	IP66
<b>Operating temperature:</b>	-40°C to +50°C
<b>Guaranteed lifetime, hours:</b>	>75 000h

Article	Name	Power, W	Dimensions, mm	Input voltage, V	Beam angle, degrees	Color Temperature, K	Weight, kg
754040010	APOLLO S 40W 220V IP66	40W	490x678x120	220V	150x75°, 145x130°, 150x105°, 160x60°, 150x70°, 155x55°, 120x15°	3000K-5000K	10kg
754055010	APOLLO S 55W 220V IP66	55W	490x678x120	220V	150x75°, 145x130°, 150x105°, 160x60°, 150x70°, 155x55°, 120x15°	3000K-5000K	10kg
754070010	APOLLO S 70W 220V IP66	70W	490x678x120	220V	150x75°, 145x130°, 150x105°, 160x60°, 150x70°, 155x55°, 120x15°	3000K-5000K	10kg
754110010	APOLLO S 110W 220V IP66	110W	490x678x120	220V	150x75°, 145x130°, 150x105°, 160x60°, 150x70°, 155x55°, 120x15°	3000K-5000K	10kg
754150010	APOLLO S 150W 220V IP66	150W	490x678x120	220V	150x75°, 145x130°, 150x105°, 160x60°, 150x70°, 155x55°, 120x15°	3000K-5000K	10kg
754040020	APOLLO M 40W 220V IP66	40W	490\550x745	220V	150x75°, 145x130°, 150x105°, 160x60°, 150x70°, 155x55°, 120x15°	3000K-5000K	12kg
754055020	APOLLO M 55W 220V IP66	55W	490\550x745	220V	150x75°, 145x130°, 150x105°, 160x60°, 150x70°, 155x55°, 120x15°	3000K-5000K	12kg
754070020	APOLLO M 70W 220V IP66	70W	490\550x745	220V	150x75°, 145x130°, 150x105°, 160x60°, 150x70°, 155x55°, 120x15°	3000K-5000K	12kg
754110020	APOLLO M 100W 220V IP66	110W	490\550x745	220V	150x75°, 145x130°, 150x105°, 160x60°, 150x70°, 155x55°, 120x15°	3000K-5000K	12kg
754150020	APOLLO M 150W 220V IP66	150W	490\550x745	220V	150x75°, 145x130°, 150x105°, 160x60°, 150x70°, 155x55°, 120x15°	3000K-5000K	12kg