

BOWLER QUADRO-W\W 200

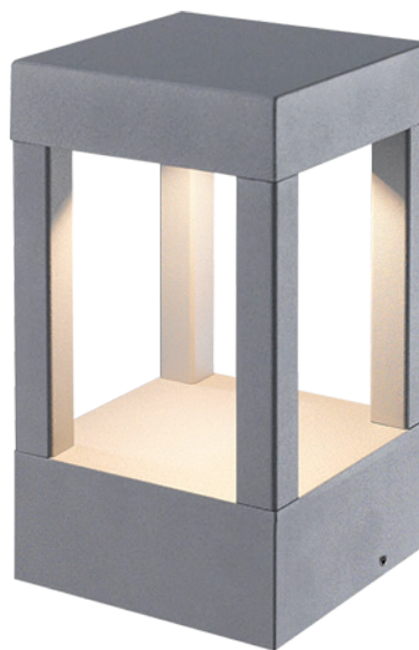
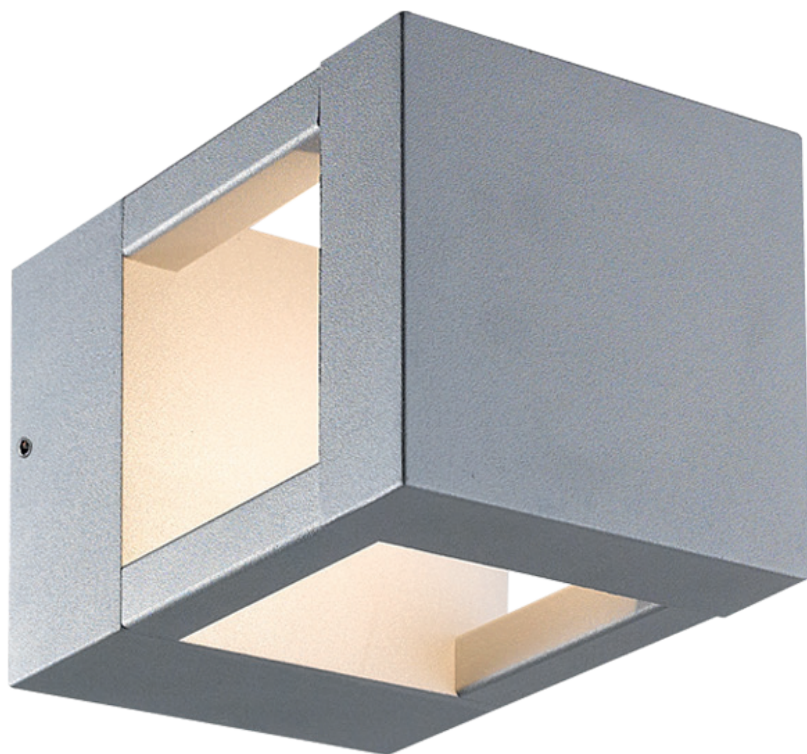


view

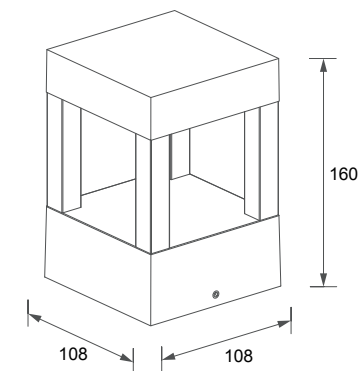


1 BOWLER QUADRO-W 7W

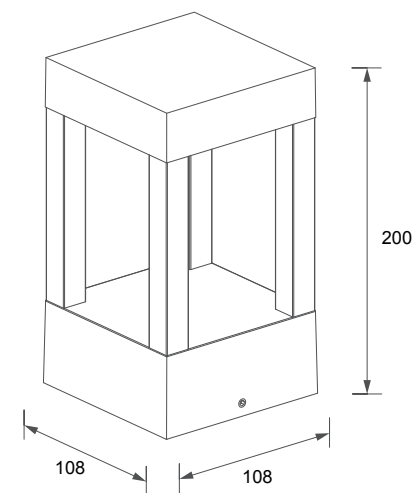
2 BOWLER QUADRO-W 200 7W



size



1



2

BOWLER QUADRO-W\W 200

LED outdoor wall-mounted lighting 7W, IP65.

The luminaire has an ergonomic and convenient design, and is suitable for accentual lighting.

Suitable for use as outdoor lighting. The driver and the power supply are located inside the housing.

Housing:	Pressure die-cast aluminum alloy with polyester powder paint. Body and glass are fitted with silicone sealants.
Fasteners:	Stainless steel, T=2.00mm
Glass:	tempered glass, 3.0 mm
Optical system:	Optical lens. Efficiency >85%
Optics with angles:	40°, 33°
Housing color:	Black, Grey, White
Operating temperature:	-40°C – +45°C (at startup: -20°C)
Weight:	1 kg/ 0.83 kg
Number of diodes (monochromatic)	1X7W

Article	Name	Power, W	Dimensions, mm	Beam angle°	Light flow, lm	Color rendering index	Power factor (PF)
69503190	Bowler Quadro-W 7W 3000K 220V IP65	7 W	108 x 108 x 160	36°	272 lm	82	0,54
69503200	Bowler Quadro-W 200 7W 3000K 220V IP65	7 W	108 x 108 x 200	29°	356 lm	82	0,54