

# GARNET GLOW GR S



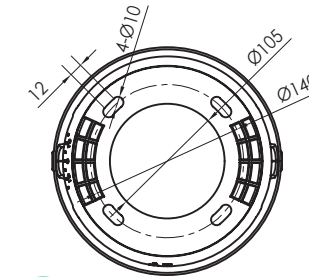
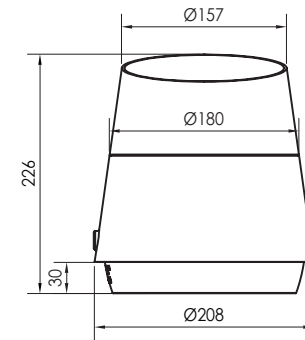
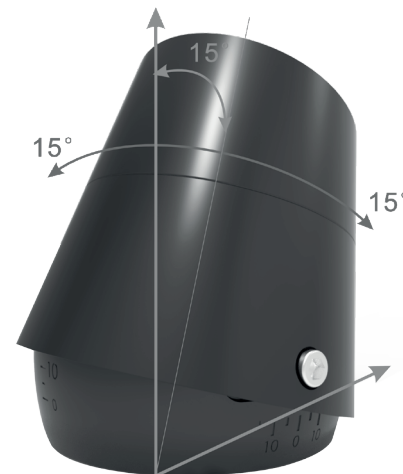
## view



RAL

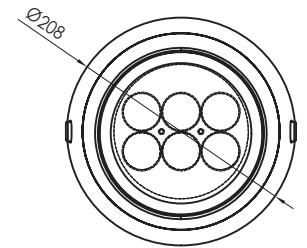
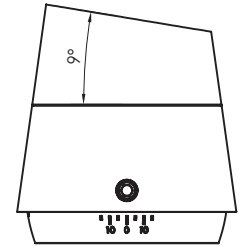


## 1 overall dimensions



1

## size



# GARNET GLOW GR S

Multifunctional spotlight is suitable for architectural floodlighting and architectural lighting. Multichip 4-in-1 RGB+W, with the DMX-512+RDM control option, mounting version: on surface, to pillar.

<b>Housing:</b>	Pressure die-cast aluminum alloy with polyester powder paint
<b>Fasteners:</b>	Stainless steel, T=2.00mm
<b>Glass:</b>	tempered glass, 5.0 mm
<b>Optical system:</b>	lenses. Efficiency 85%
<b>Housing color:</b>	Black, RAL
<b>Beam angle:</b>	2.6°, 3.5°, 12°, 15°, 20°, 30°, 60°, 10x70°, 5x20°, 15x60°
<b>Color temperature, K:</b>	2700K, 4000K, 5000K, RGBW
<b>Input voltage, V:</b>	24V, 220V
<b>Control system:</b>	DALI, 1-10V, DMX-512, RDM, Switch On\Off
<b>Ingress Protection Rating, IP:</b>	IP66
<b>Operating temperature:</b>	-40°C ~ +50°C

Article	Name	Power, W	Dimensions, mm	Input voltage, V	Beam angle, degrees	Color temperature, K	Weight, kg
621022010	GARNET GLOW GR S 22W 220V IP66 Single Color	22W	d157x226	220V	2700K, 4000K, 5000K	2.6°, 3.5°, 12°, 20°, 30°, 60°, 10x70°, 5x20°	2kg
621030010	GARNET GLOW GR S 30W 220V IP66 Single Color	30W	d157x226	220V	2700K, 4000K, 5000K	2.6°, 3.5°, 12°, 20°, 30°, 60°, 10x70°, 5x20°	2kg
621030020	GARNET GLOW GR S 30W 220V IP66 RGBW 4in1	30W	d157x226	24V, 220V	RGBW	15°, 20°, 30°, 15x60°	2kg