

RUNDEL QUADRO-W

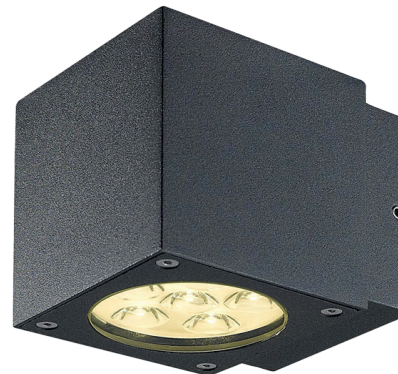


view

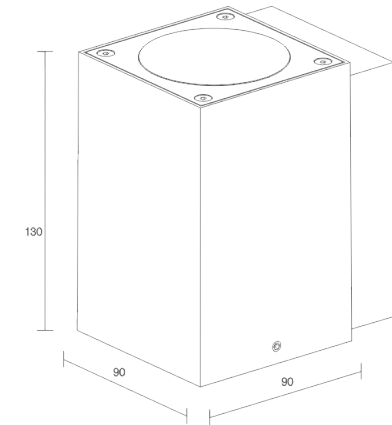


1 RUNDEL QUADRO-W DUO 12W

2 RUNDEL QUADRO-W MONO 6W

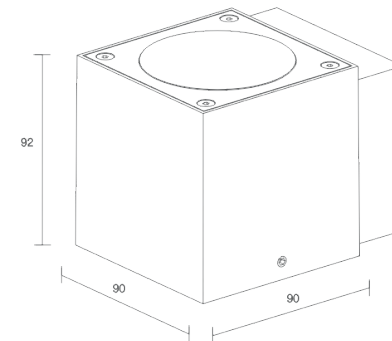


size



1

2



RUNDEL QUADRO-W

LED outdoor ceiling-wall lighting 6W and 12W, IP65.

The luminaire has an interesting and recognizable design, but also is a compact and convenient solution for floodlighting and accentual lighting of entry elements. Suitable for use as outdoor lighting instead of devices with gas-discharge lamps. The driver and the power supply are located inside the housing.

Housing:	Pressure die-cast aluminum alloy with polyester powder paint. Body and glass are fitted with silicone sealants.
Fasteners:	Stainless steel, T=2.00mm
Glass:	tempered glass, 3.0 mm
Optical system:	Optical lens. Efficiency >85%
Optics with angles:	61°-63°
Housing color:	Black, Grey, White
Operating temperature:	-40°C – +45°C (at startup: -20°C)
Weight:	1.41 kg/ 1.15 kg/ 0.70 kg
Number of diodes (monochromatic)	1X5W

Article	Name	Power, W	Dimensions, mm	Beam angle°	Light flow, lm	Color rendering index	Power factor (PF)
69507040	Rundel Quadro-W Duo 12W 220V IP65	12 W	90 x 90 x 130	23°	872 lm	80	0,9
69507040	Rundel Quadro-W Mono 6W 220V IP65	6 W	90 x 90 x 92	25°	502 lm	80	0,53