

RUNDEL ROUND-W M



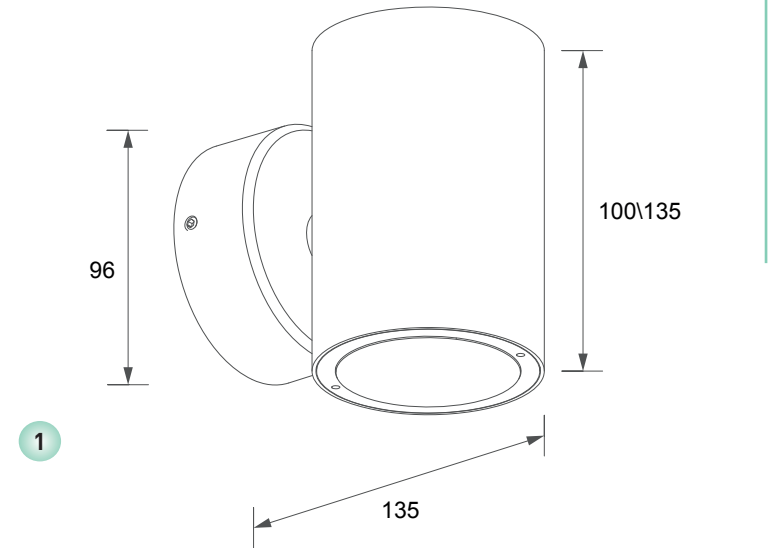
view



1 overall dimensions



size



RUNDEL ROUND-W M

LED outdoor wall-mounted lighting 6W or 12W, IP65.

The luminaire has an ergonomic and convenient design, and is suitable for accentual lighting.

Suitable for use as outdoor lighting. The driver and the power supply are located inside the housing.

Housing:	Pressure die-cast aluminum alloy with polyester powder paint. Body and glass are fitted with silicone sealants.
Fasteners:	Stainless steel, T=2.00mm
Glass:	tempered glass, 3.0 mm
Optical system:	Optical lens. Efficiency >85%
Optics with angles:	61°-63°
Housing color:	Black, Grey, White
Operating temperature:	-40°C – +45°C (at startup: -20°C)
Weight:	1.41 kg/ 1.15 kg/ 0.70 kg
Number of diodes (monochromatic)	1X5W

Article	Name	Power, W	Dimensions, mm	Beam angle°	Light flow, lm	Color rendering index	Power factor (PF)
69507050	Rundel Round-W Duo M 12W 3000K 220V IP65	12 W	135 x 135 x96	23°	872 lm	80	0,9
69507060	Rundel Round-W Mono M 6W 3000K 220V IP65	6 W	95 x 95	25°	145 lm	80	0,53