

AMANTA, AMANTA SPOT

Manual



Installation Instructions

A. Technical Parameters

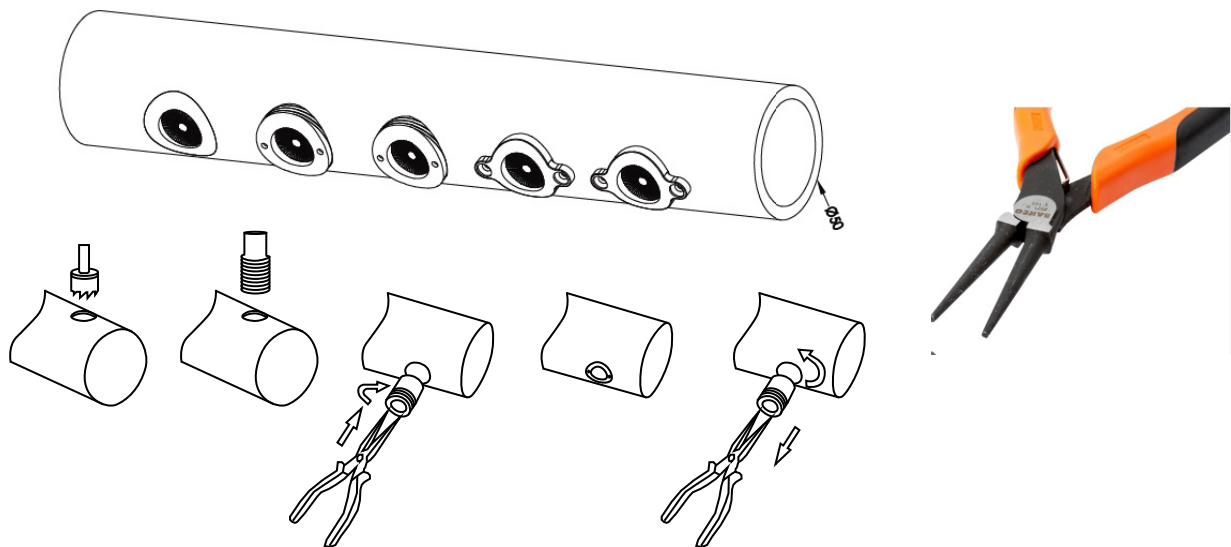
| | |
|---------------------|--|
| Product name | AMANTA |
| Product code | 692 series |
| Input Voltage | DC 12/24V |
| Power | 0.5-4W |
| Beam Angle | 15°, 30°, 60°, 120°, 100x10° |
| Color temperature | SINGLE COLOR, RGB, RGBW, Tunable White |
| Working Environment | -40°C to +50°C |
| Net weight | 0.1-1.0Kg |
| Control Mode | DMX-512, Switch ON/OFF |

B. Applications:

Indoor & outdoor architectural lighting.

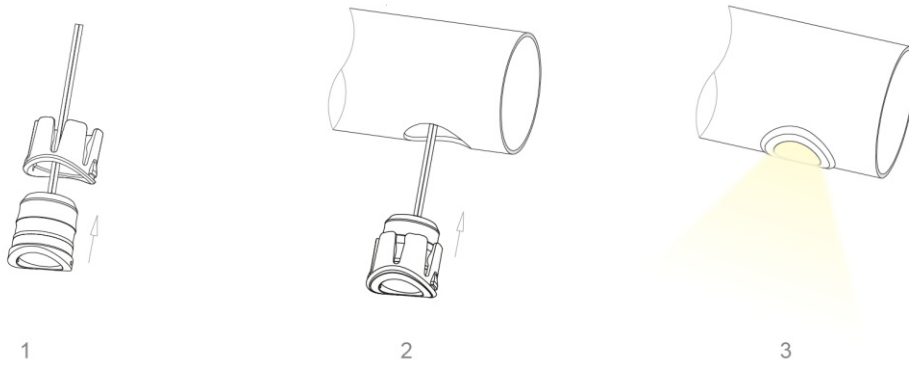
C. Installation & Maintenance

Installation AMANTA SPOT (S)



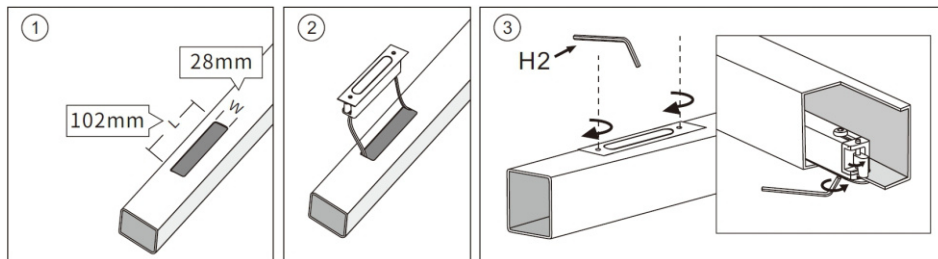
Suit for standard Ø38-100mm handrail wall thickness >1.5mm

AMANTA SPOT (M)



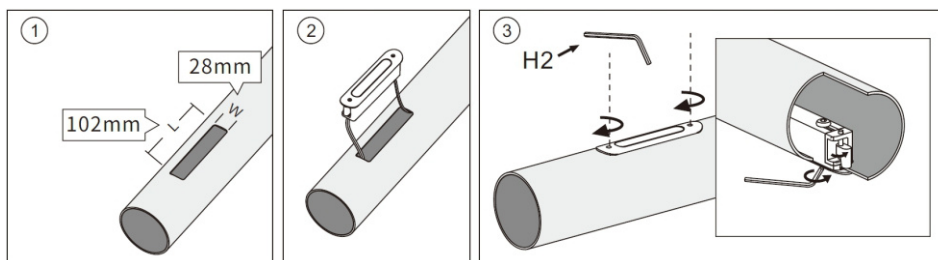
Suit for standard $\varnothing 48-63\text{mm}$ handrail wall thickness 1.0-1.5mm

AMANTA ROUNDLINE (S)



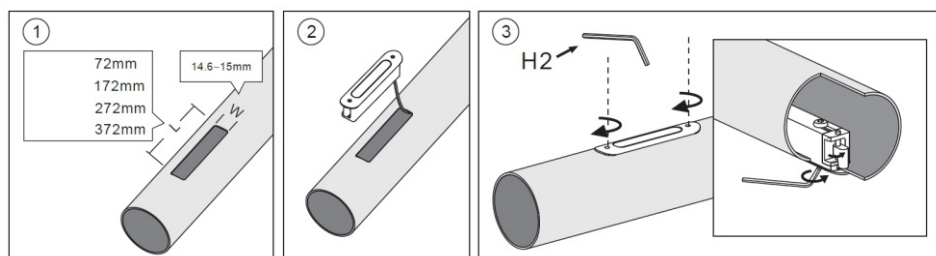
Suit for standard $\geq 50 \times 50\text{mm}$ square handrail wall thickness 0.8-3mm

AMANTA QUADROLINE (S)



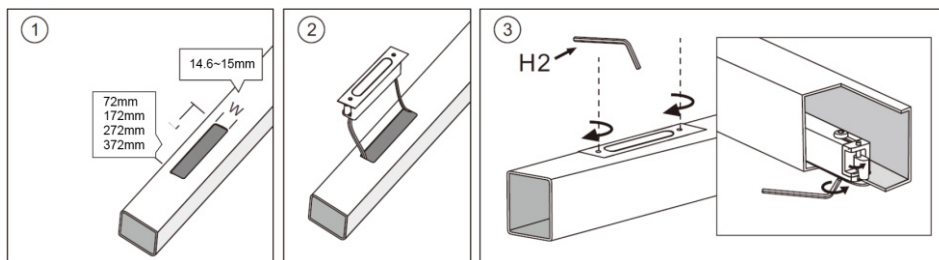
Suit for standard $\varnothing 48-52\text{mm}$ round handrail wall thickness 0.8-3mm

AMANTA ROUNDLINE (M)



Suit for standard \varnothing 48-63mm round handrail wall thickness 0.8-3mm

AMANTA QUADROLINE (M)



Suit for standard \geq 50x50mm square handrail wall thickness 0.8-3mm

WIRING DIAGRAM

The maximum number of connected devices should not exceed 100W. Before connecting, check the output voltage of the power supply and the supply voltage of the lamp.