

BELMOR

USER MANUAL



The luminaire shall be installed by a qualified electrician and wired in accordance with the latest IEE electrical regulations or the national requirements.

Installation Instructions

Housing:	Pressure die-cast aluminum alloy with polyester powder paint
Housing Color:	Metallic
LED rotation angle:	-25° ~ +25°
Beam Angle:	8°, 12°, 15°, 25°, 40°, 60°, 10°×45°, 20°×65°
Color Temperature:	2700K, 3000K, 4000K, 5000K, 6000K, RGB, RGBW
Control System:	On/Off, DMX-512
Input Voltage:	24 V, 220 V
Protection Class:	Class I, Class III
Protection Rating:	IP67
Weight:	0.8 – 4.5 kg

Installation Instructions

1. Prepare a hole in the ceiling of the appropriate diameter.

SIZE 1 - Ø85 mm
SIZE 2 - Ø115 mm
SIZE 3 - Ø145 mm
SIZE 4 - Ø165 mm
SIZE 5 - Ø190 mm
SIZE 6 - Ø225 mm

2. Route the cable through the hole. Connect the power and control wires (if any).

3. If necessary, adjust the tilt of the rotating matrix by turning the screw on the luminaire body. Rotation is possible by 25° in either direction.

4. Secure the luminaire in the hole.

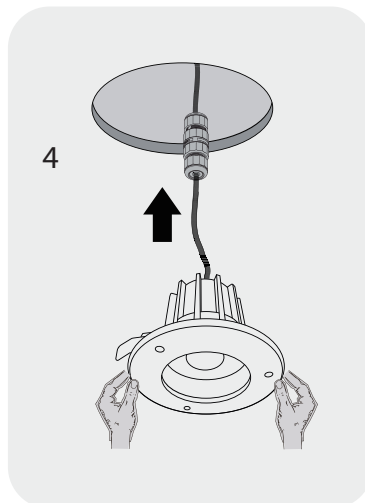
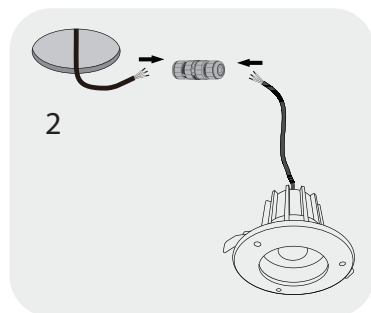
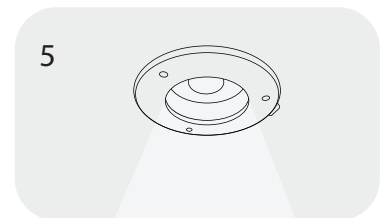
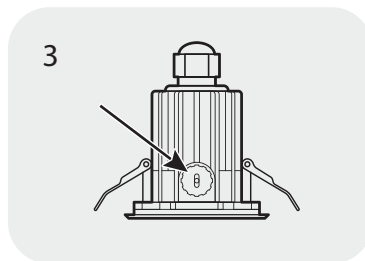
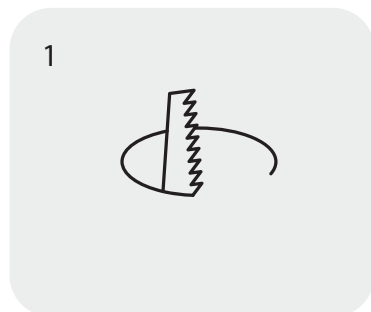
Option 1: Attaching spring-loaded brackets.

Compress the spring-loaded mounting brackets with the switches. Guide the luminaire into the hole, gently pressing it against the ceiling. Once the brackets are inserted, they will automatically open and secure the light fixture.

Option 2: Threaded end mounting.

Loosen the adjustment screws on the threaded connections. Insert the light fixture housing into the opening. Tighten the screws until the fasteners are securely released from the ceiling and press the light fixture into place.

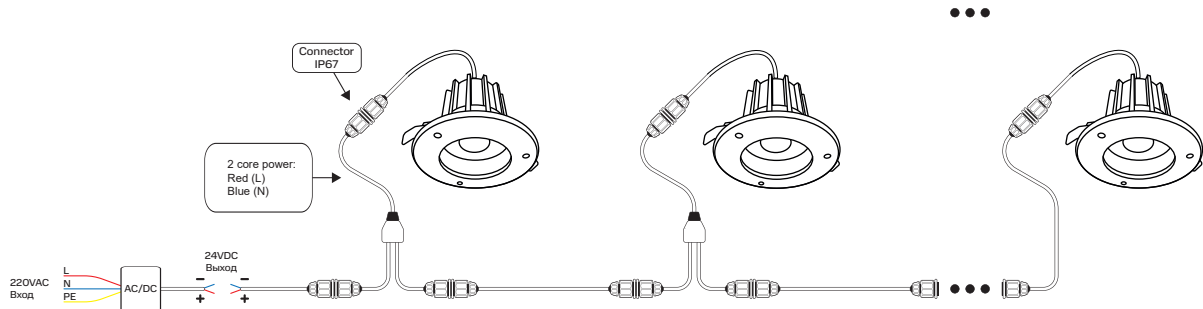
5. Power on the light fixture – the light fixture should operate reliably. Ensure there is no flickering and that the housing is secure.



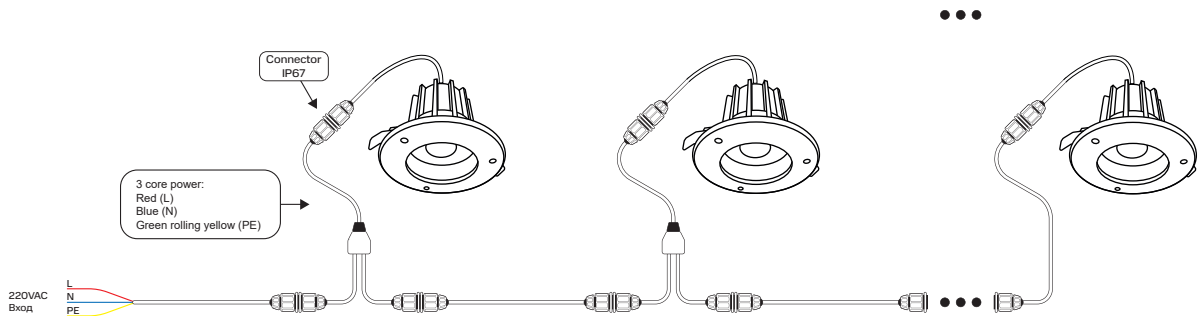
Installation Instructions

Connection diagram

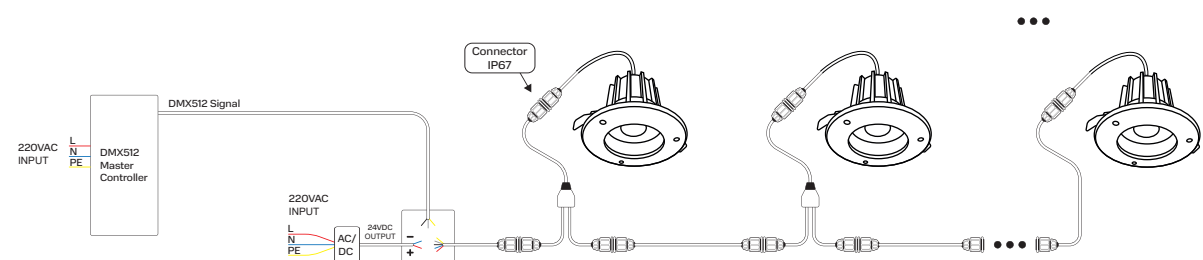
24V DC



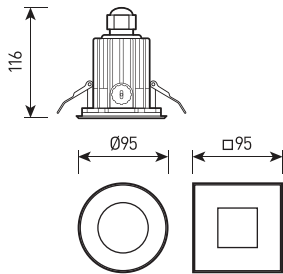
220V AC



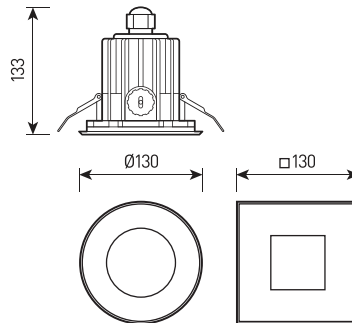
24V DC DMX-512



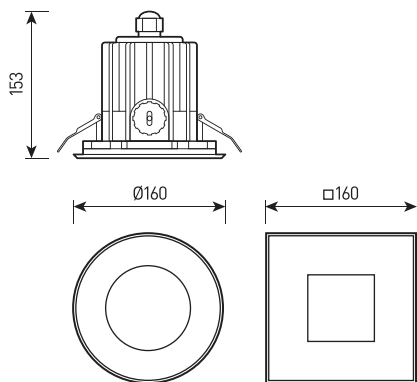
Overall dimensions



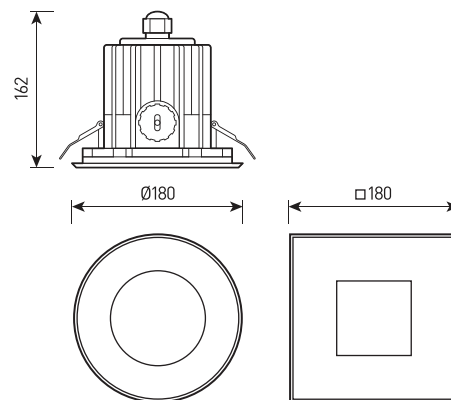
BELMOR XS



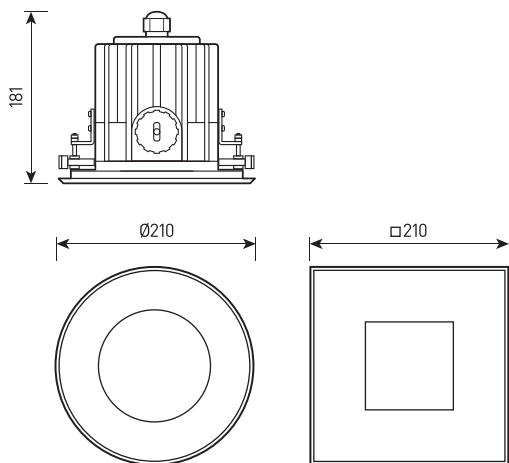
BELMOR S



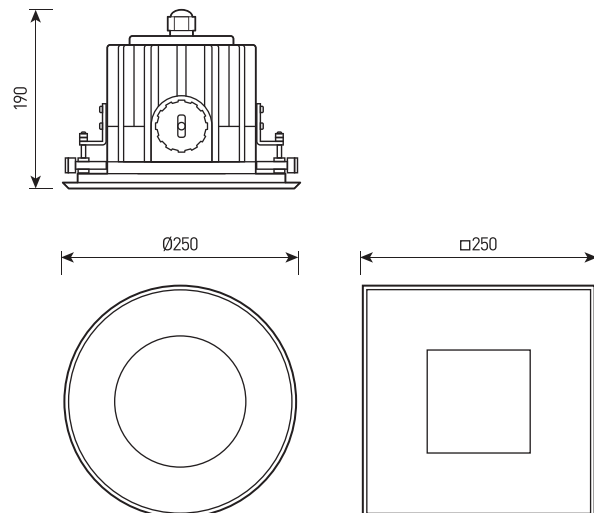
BELMOR M



BELMOR L



BELMOR XL



BELMOR XXL