

BLADER M

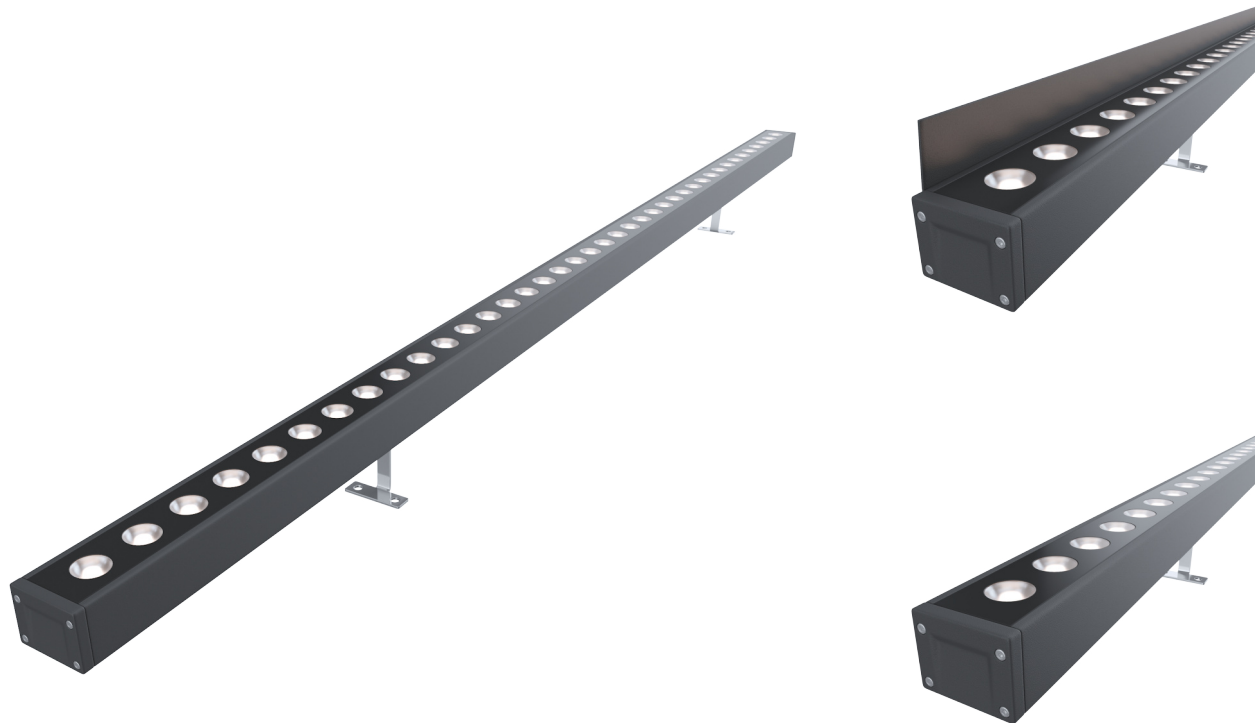


view



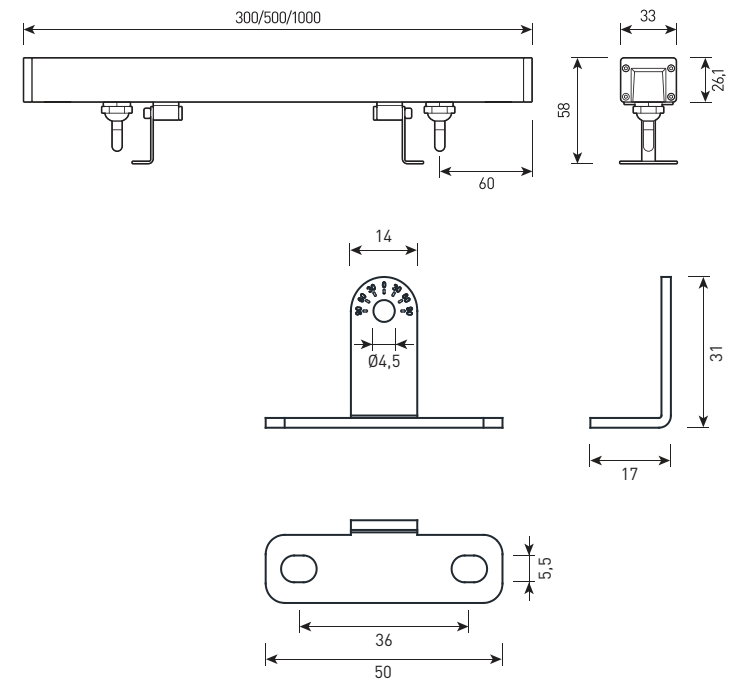
RAL

1 overall dimensions



size

1



BLADER M

Ultra-thin linear luminaire for architectural lighting.

Housing:	Extruded aluminum with a protective anti-corrosion coating
Housing color:	Black,Grey, RAL
Beam angle:	20°, 30°, 45°, 20°x40°, 120°
IES protection classes:	Class III (SELV)
Color temperature, K:	2700K, 3000K, 4000K, 5700K, R, G, B
Input voltage, V:	24V
Control system:	On/Off
Ingress Protection Rating, IP:	IP66
Operating temperature:	-40°C ~ +50°C
Weight:	0,6-1,0kg

Article	Name	Power, W	Dimensions, mm	Input voltage, V	Beam angle, degrees	Color temperature, K	Weight, kg
744080028	BLADER M 6W 300mm 24V IP66 SINGLE COLOR	6W	300x33x26,1	24V	20°, 30°, 45°, 20°x40°, 120°	2700K, 3000K, 4000K, 5700K, R, G, B	0,6
744080030	BLADER M 8W 300mm 24V IP66 SINGLE COLOR	8W	300x33x26,1	24V	20°, 30°, 45°, 20°x40°, 120°	2700K, 3000K, 4000K, 5700K, R, G, B	0,6
744080032	BLADER M 9W 500mm 24V IP66 SINGLE COLOR	9W	500x33x26,1	24V	20°, 30°, 45°, 20°x40°, 120°	2700K, 3000K, 4000K, 5700K, R, G, B	0,8
744080034	BLADER M 12W 500mm 24V IP66 SINGLE COLOR	12W	500x33x26,1	24V	20°, 30°, 45°, 20°x40°, 120°	2700K, 3000K, 4000K, 5700K, R, G, B	0,8
744080036	BLADER M 18W 1000mm 24V IP66 SINGLE COLOR	18W	1000x33x26,1	24V	20°, 30°, 45°, 20°x40°, 120°	2700K, 3000K, 4000K, 5700K, R, G, B	1,0
744080038	BLADER M 24W 1000mm 24V IP66 SINGLE COLOR	24W	1000x33x26,1	24V	20°, 30°, 45°, 20°x40°, 120°	2700K, 3000K, 4000K, 5700K, R, G, B	1,0