

BLADER OPAL M

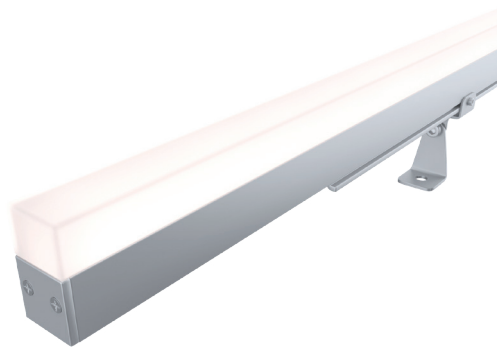
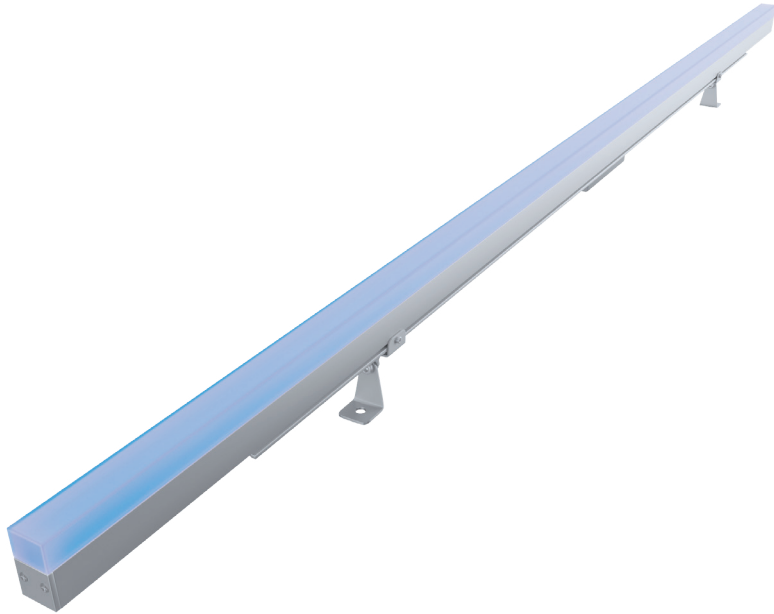
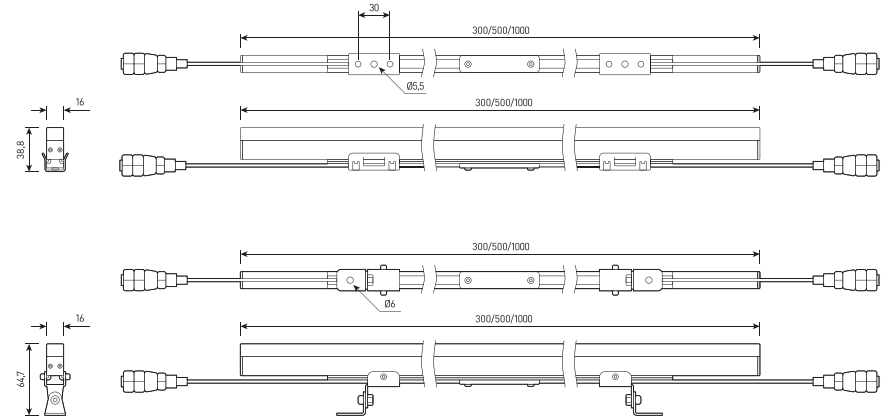


view



RAL

size



BLADER OPAL M

Ultra-thin linear luminaire for architectural lighting

| | |
|---------------------------------------|--|
| Housing: | Extruded aluminum with a protective anti-corrosion coating |
| Beam angle: | 160° |
| Housing color: | Metallic, RAL |
| IES protection classes: | Class III (SELV) |
| Color temperature: | 2700K, 3000K, 4000K, 5000K, RGB, RGBW |
| Input voltage: | 24V |
| Control system: | On/Off, DMX-512 |
| Ingress Protection Rating, IP: | IP66 |
| Operating temperature: | -40°C ~ +50°C |
| Weight: | 0.3 – 0.8 kg |

| Article | Name | Power | Dimensions, mm | Input voltage | Beam angle, degrees | Color temperature | Weight, kg |
|-----------|--|-------|----------------|---------------|---------------------|-----------------------------------|------------|
| 774014098 | BLADER OPAL M 5W 300mm 24V SINGLE COLOR IP66 | 5W | 300x16x65 | 24V | 160° | 2700K, 3000K, 4000K, 5000K, 6000K | 0.3 |
| 774014100 | BLADER OPAL M 5W 300mm 24V DMX512 RGB IP66 | 5W | 300x16x65 | 24V | 160° | RGB | 0.3 |
| 774014102 | BLADER OPAL M 5W 300mm 24V DMX512 RGBW IP66 | 5W | 300x16x65 | 24V | 160° | RGBW | 0.3 |
| 774014104 | BLADER OPAL M 8W 500mm 24V SINGLE COLOR IP66 | 8W | 500x16x65 | 24V | 160° | 2700K, 3000K, 4000K, 5000K, 6000K | 0.5 |
| 774014106 | BLADER OPAL M 8W 500mm 24V DMX512 RGB IP66 | 8W | 500x16x65 | 24V | 160° | RGB | 0.5 |
| 774014108 | BLADER OPAL M 8W 500mm 24V DMX512 RGBW IP66 | 8W | 500x16x65 | 24V | 160° | RGBW | 0.5 |
| 774014110 | BLADER OPAL M 15W 1000mm 24V SINGLE COLOR IP66 | 15W | 1000x16x65 | 24V | 160° | 2700K, 3000K, 4000K, 5000K, 6000K | 0.8 |
| 774014112 | BLADER OPAL M 15W 1000mm 24V DMX512 RGB IP66 | 15W | 1000x16x65 | 24V | 160° | RGB | 0.8 |
| 774014114 | BLADER OPAL M 15W 1000mm 24V DMX512 RGBW IP66 | 15W | 1000x16x65 | 24V | 160° | RGBW | 0.8 |