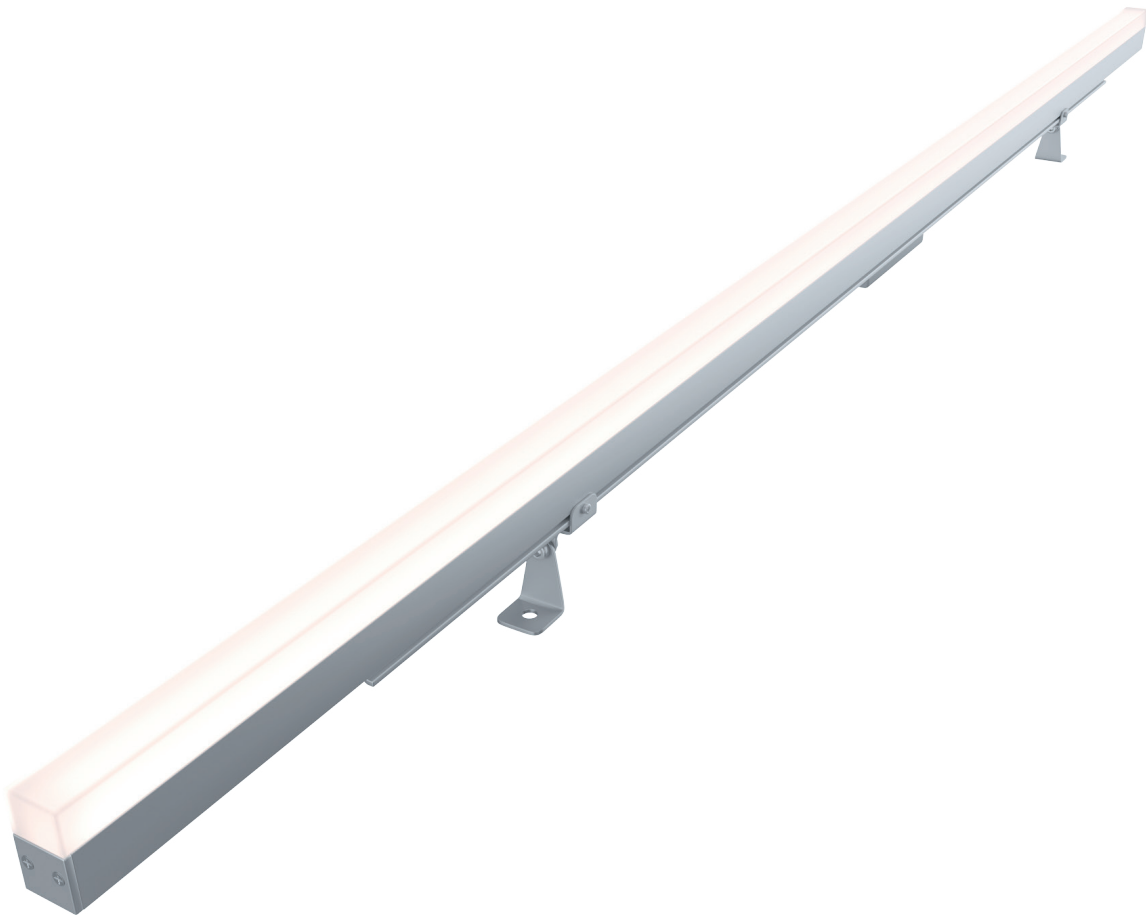


BLADER OPAL M

USER MANUAL



The luminaire shall be installed by a qualified electrician and wired in accordance with the latest IEE electrical regulations or the national requirements.

Installation Instructions

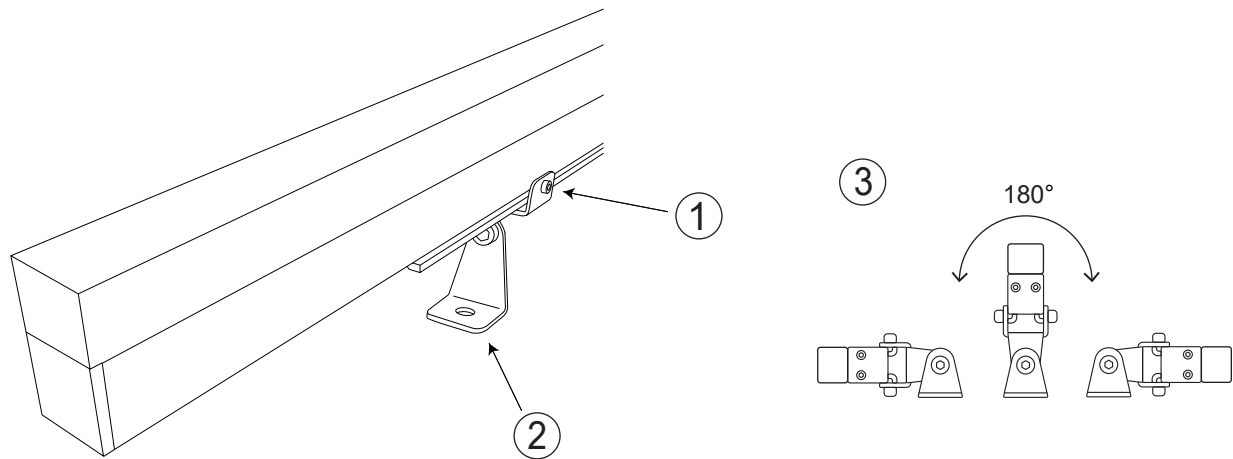
Technical Parameters

Product name	BLADER OPAL M
Product code	774
Input Voltage	DC 24V
Power	5W - 15W
Beam Angle	120°
Color temperature	2700K, 3000K, 4000K, 5000K, RGB, RGBW
Working Environment	-40°C to +50°C
Dimensions	300x16x65 mm, 500x16x65 mm , 1000x16x65 mm
Net weight	0.3 - 0.8 Kg
Control Mode	On/Off, DMX-512

Installation Instructions

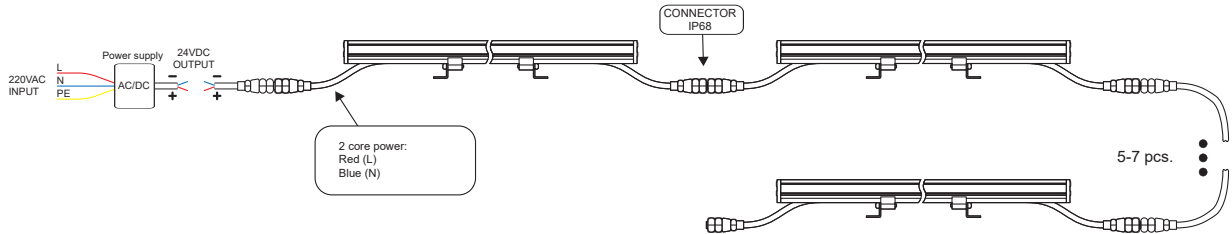
Installation the luminaire with a swing bracket

1. Untighten bracket screw. Move the bracket along the profile of the luminaire and fix it in the desired position.
2. Fix the luminaire on the mounting surface as your project needed.
3. Rotate the luminaire at the required angle and fix brackets.

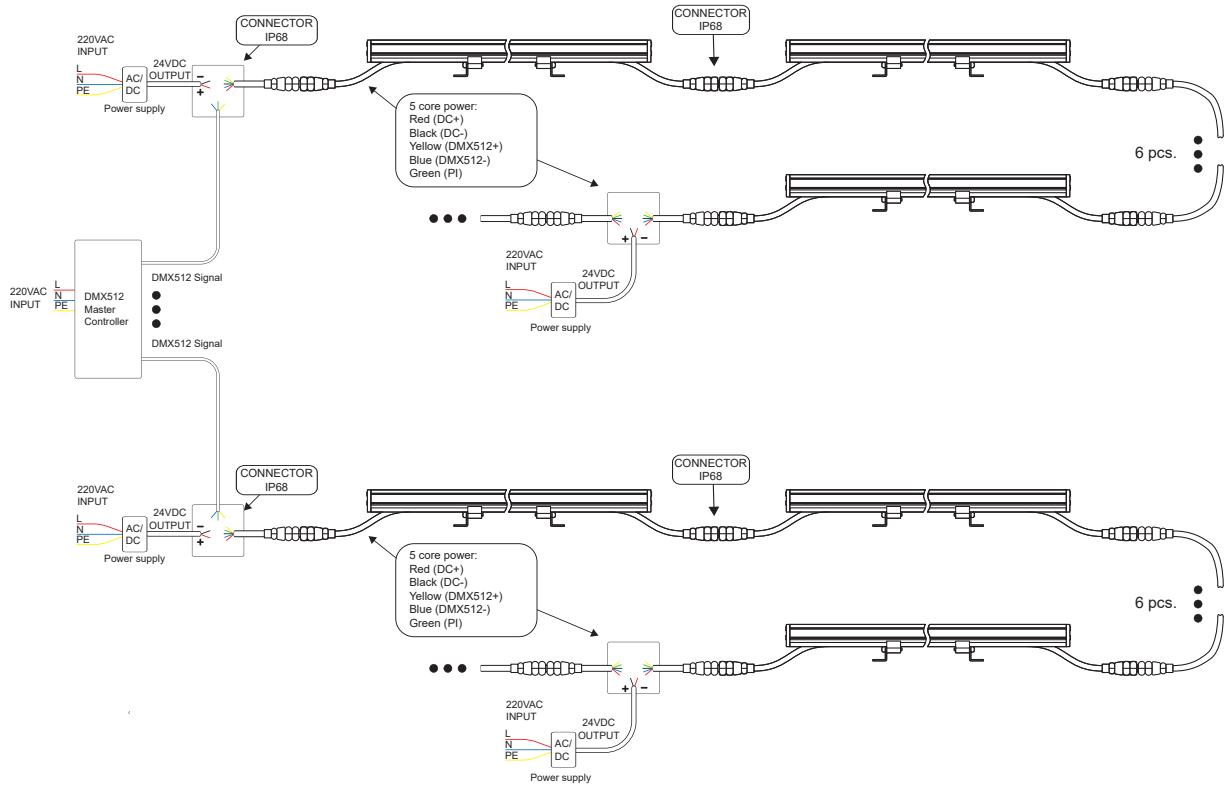


Connection diagram

24VDC SINGLE



24VDC DMX



Overall dimensions

