

# BLADER OPAL S



view

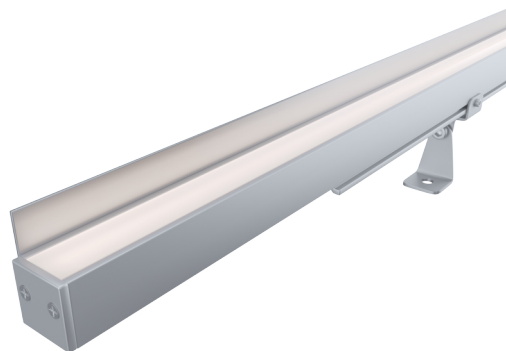
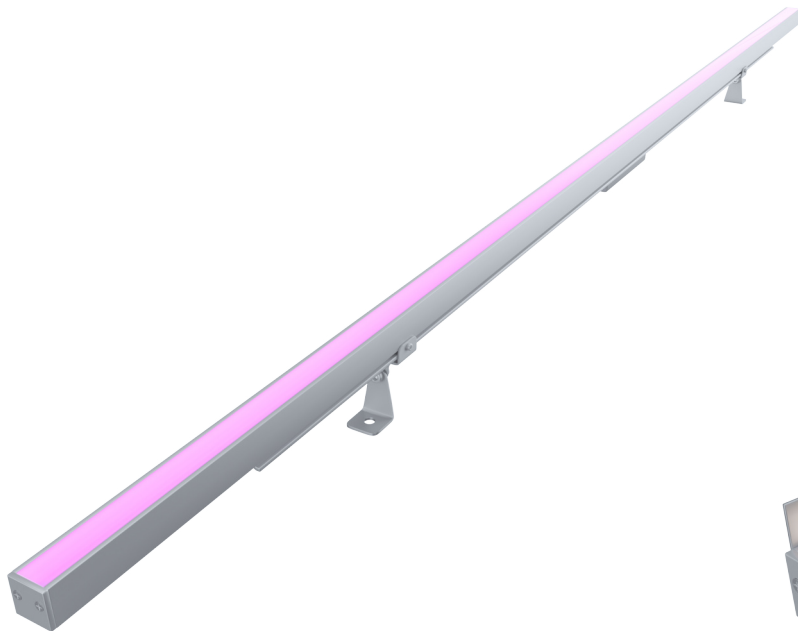
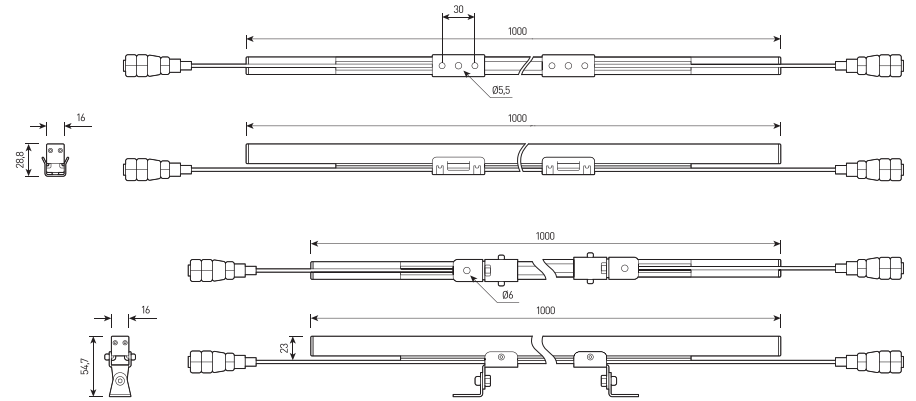


RAL

size

1 overall dimensions

1



# BLADER OPAL S

Ultra-thin linear luminaire for architectural lighting

<b>Housing:</b>	Extruded aluminum with a protective anti-corrosion coating
<b>Beam angle:</b>	120°
<b>Housing color:</b>	Metallic, RAL
<b>IES protection classes:</b>	Class III (SELV)
<b>Color temperature, K:</b>	2700K, 3000K, 4000K, 5000K, RGB, RGBW
<b>Input voltage, V:</b>	24V
<b>Control system:</b>	On/Off, DMX-512
<b>Ingress Protection Rating, IP:</b>	IP66
<b>Operating temperature:</b>	-40°C ~ +50°C
<b>Weight, kg:</b>	0.3 - 0.8 kg

Article	Name	Power, W	Dimensions, mm	Input voltage, V	Beam angle, degrees	Color temperature, K	Weight, kg
774014080	BLADER OPAL S 5W 300mm 24V SINGLE COLOR IP66	5W	300x16x55	24V	120°	2700K, 3000K, 4000K, 5000K, 6000K	0.3
774014082	BLADER OPAL S 5W 300mm 24V DMX512 RGB IP66	5W	300x16x55	24V	120°	RGB	0.3
774014084	BLADER OPAL S 5W 300mm 24V DMX512 RGBW IP66	5W	300x16x55	24V	120°	RGBW	0.3
774014086	BLADER OPAL S 8W 500mm 24V SINGLE COLOR IP66	8W	500x16x55	24V	120°	2700K, 3000K, 4000K, 5000K, 6000K	0.5
774014088	BLADER OPAL S 8W 500mm 24V DMX512 RGB IP66	8W	500x16x55	24V	120°	RGB	0.5
774014090	BLADER OPAL S 8W 500mm 24V DMX512 RGBW IP66	8W	500x16x55	24V	120°	RGBW	0.5
774014092	BLADER OPAL S 15W 1000mm 24V SINGLE COLOR IP66	15W	1000x16x55	24V	120°	2700K, 3000K, 4000K, 5000K, 6000K	0.8
774014094	BLADER OPAL S 15W 1000mm 24V DMX512 RGB IP66	15W	1000x16x55	24V	120°	RGB	0.8
774014096	BLADER OPAL S 15W 1000mm 24V DMX512 RGBW IP66	15W	1000x16x55	24V	120°	RGBW	0.8