

CHASER DUO

USER MANUAL

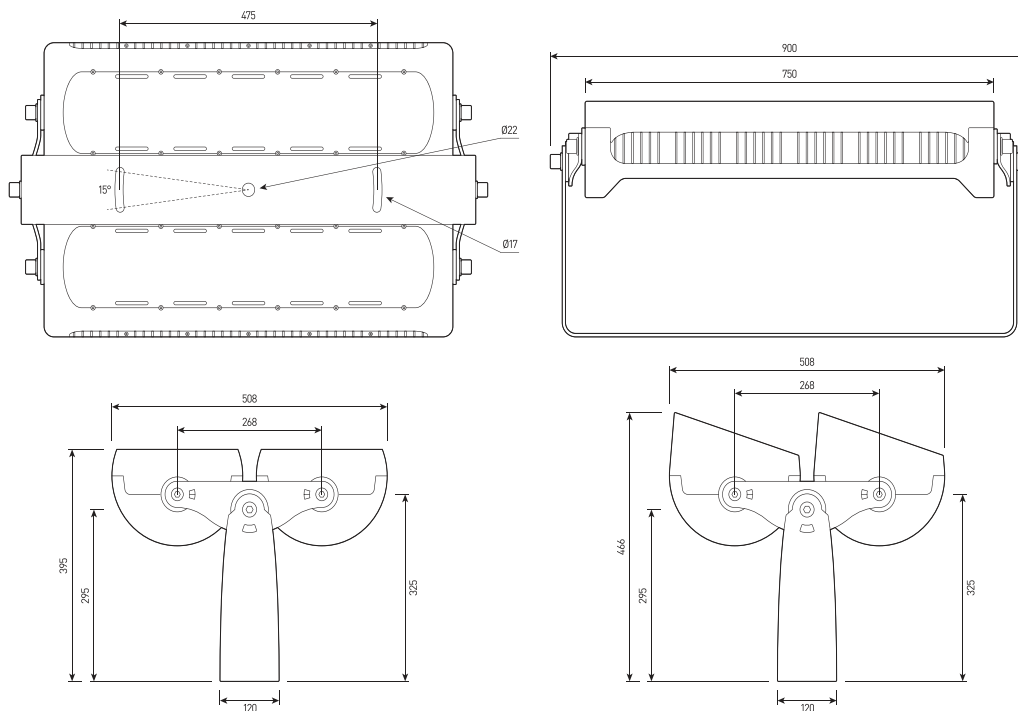


Installation Instructions

A. Technical Parameters

| | |
|------------------------|---|
| Product name | CHASER DUO |
| Product code | 603 |
| Input Voltage | AC 220V |
| Power | 320 - 720W |
| Power Factor | >0.9 |
| Beam Angle | 1.5°, 2.6°, 6°, 8°, 12°, 20°, 25°, 30°, 45°, 60°, 10x45°, 10x70°, 5x20° |
| Color temperature | SINGLE COLOR, RGBW 4in1, R,G,B,W |
| Colour rendering index | >70 CRI |
| Working Environment | -40°C to +50°C |
| Dimensions | 750x508x395mm |
| Net weight | 37.0 Kg |
| Control Mode | On/Off, DMX-512, RDM |

Overall dimensions

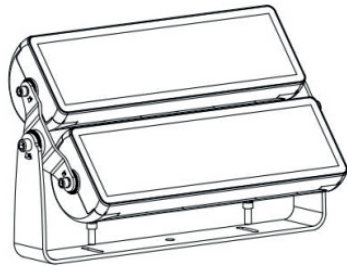


Observe the following dos and don'ts

1. Install in the IP 65 environment or beneath the IP65.
2. Prohibit punching any position of lamps
3. Please turn off the power and contact the dealer for problems in connection or other abnormal cases.
4. Installed by the qualified electrician holding a certificate.
5. Prohibit operating the lamps beyond the voltage scope as nation stipulated
6. Don't make the external power cable exposed during wiring.

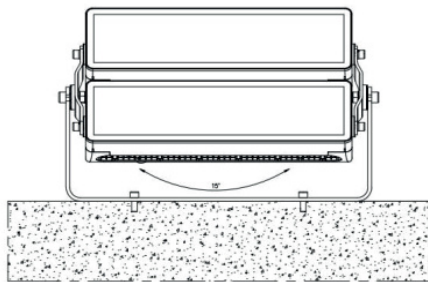
Installation Instructions

1. According to step ① ②, fix the bracket on the mounting surface.

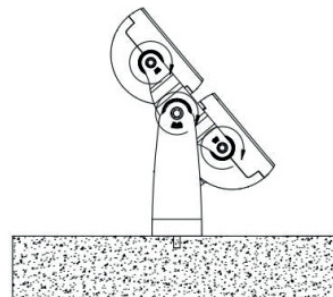


Step ①

2. According to step ③, connect the wire through the hole of the bracket and fix it.



Step ②



Step ③

3. According to step ② ③, fix and adjust the bracket as your project needed.

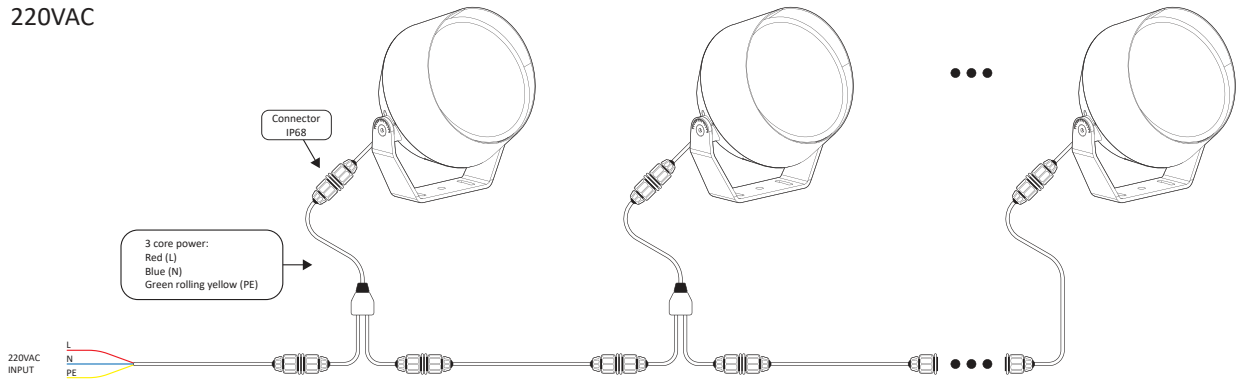
4. Notes

The fixture must get reliable connection with the mounting surface, any screws in the lamps should not be arbitrarily loosed. There is no special requirement on the installation direction.

Installation Instructions

Wiring diagram

220VAC



220VAC DMX-512

