

CHASER L

USER MANUAL

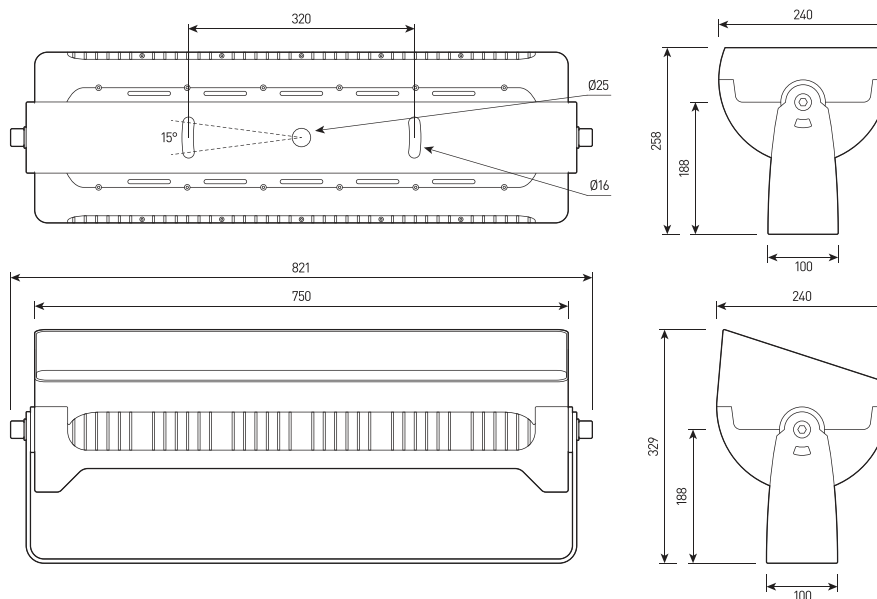


Installation Instructions

A. Technical Parameters

Product name	CHASER L
Product code	603
Input Voltage	AC 220V
Power	160 - 360W
Power Factor	>0.9
Beam Angle	1.5°, 2.6°, 6°, 8°, 12°, 20°, 25°, 30°, 45°, 60°, 10x45°, 10x70°, 5x20°
Color temperature	SINGLE COLOR, RGBW 4in1, R,G,B,W
Colour rendering index	>70 CRI
Working Environment	-40°C to +50°C
Dimensions	750x240x258mm
Net weight	20.0 Kg
Control Mode	On/Off, DMX-512, RDM

Overall dimensions



Observe the following dos and don'ts

1. Install in the IP 65 environment or beneath the IP65.
2. Prohibit punching any position of lamps
3. Please turn off the power and contact the dealer for problems in connection or other abnormal cases.
4. Installed by the qualified electrician holding a certificate.
5. Prohibit operating the lamps beyond the voltage scope as nation stipulated
6. Don't make the external power cable exposed during wiring.

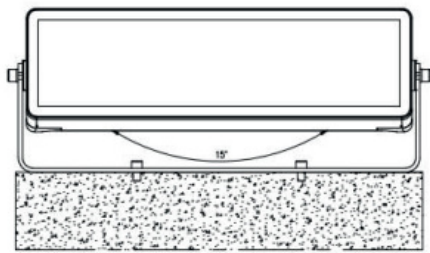
Installation Instructions

1. According to step ① ②, fix the bracket on the mounting surface.

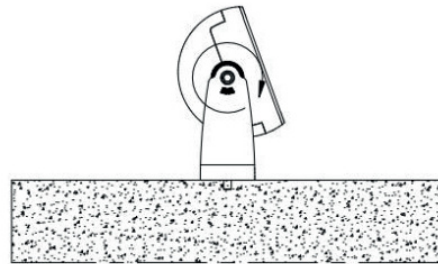


Step ①

2. According to step ③, connect the wire through the hole of the bracket and fix it.



Step ②



Step ③

3. According to step ② ③, fix and adjust the bracket as your project needed.

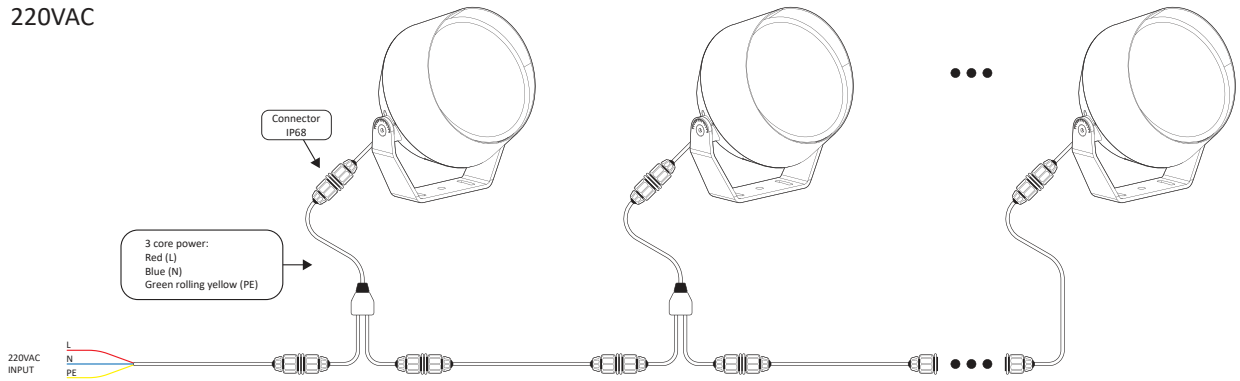
4. Notes

The fixture must get reliable connection with the mounting surface, any screws in the lamps should not be arbitrarily loosed. There is no special requirement on the installation direction.

Installation Instructions

Wiring diagram

220VAC



220VAC DMX-512

