

# FORWARD

## USER MANUAL

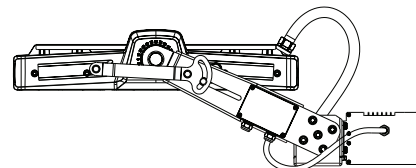
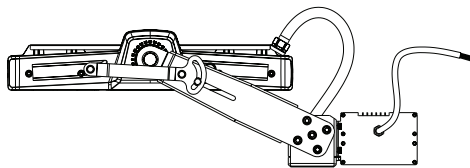


The luminaire shall be installed by a qualified electrician and wired in accordance with the latest IEE electrical regulations or the national requirements.

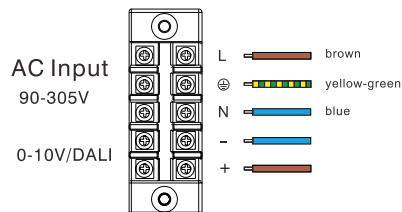
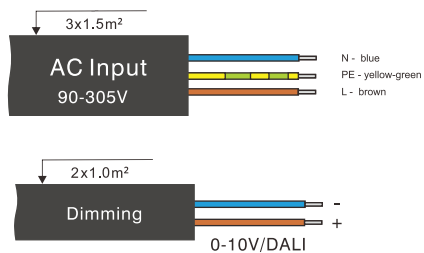
# Installation Instructions

## A. Technical Parameters

Product name	FORWARD
Product code	614
Input Voltage	AC 220V
Power	320-1800W
Power Factor	>0.9
Beam Angle	12°, 16°, 30°, 60°, 60x130°, 40x130°, 25x130°
Color temperature	SINGLE COLOR
Colour rendering index	>80 CRI
Working Environment	-40°C to +55°C
Dimensions	535x581x109mm, 538x728x114mm, 656x580x138mm, 765x803x138mm, 673x791x138mm, 977x817x138mm
Net weight	19.0 - 51.0 Kg
Control Mode	On/Off, 1-10V



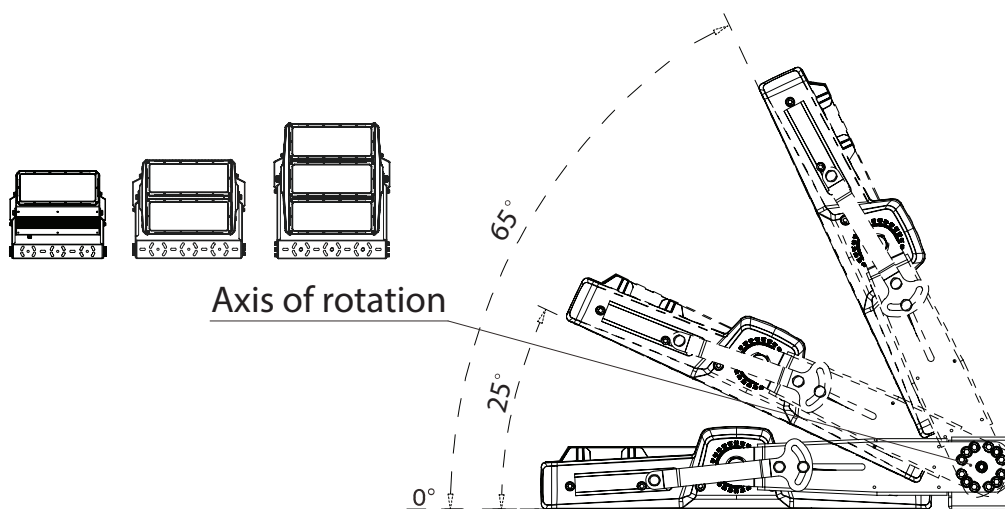
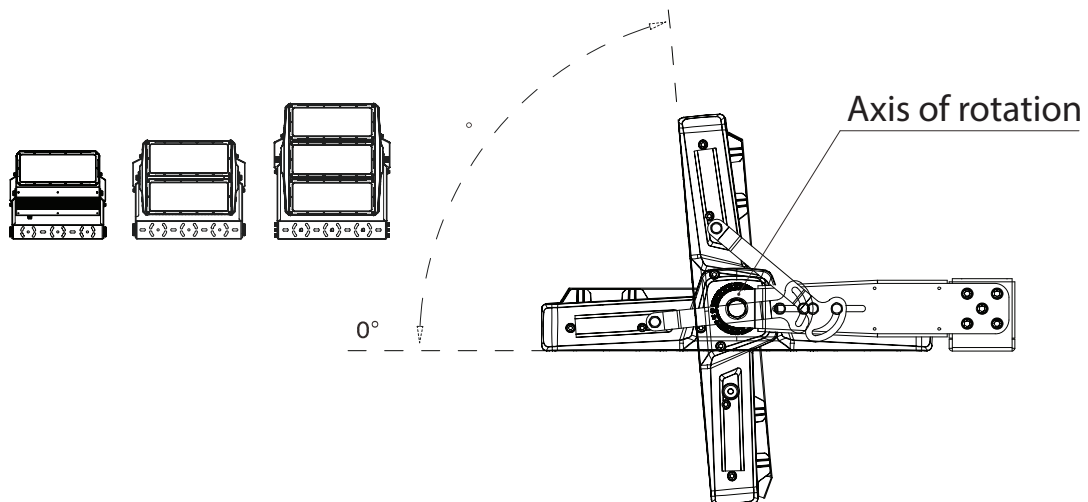
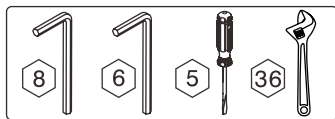
### Wiring method




**DANGER OF ELECTRICAL SHOCK!**  
Please cut off the power before the maintenance.

When there are only three bits for the wiring terminal, the corresponding "L", "Yellow-green", and "N" mark the wiring.

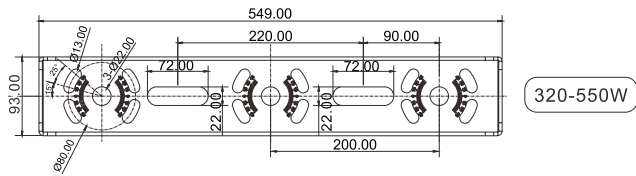
## Installation Instructions



 The angle of rotation relative to its horizontal axis is 0° to 85°.

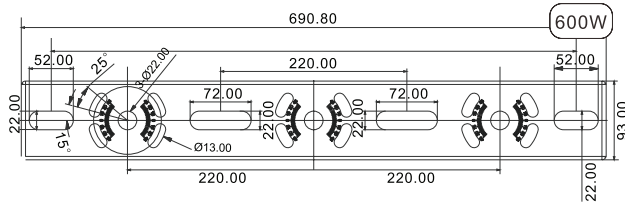
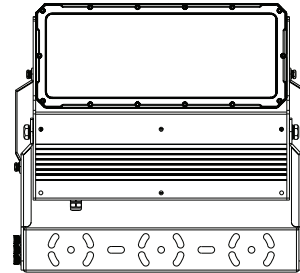
# Installation Instructions

Unit: mm



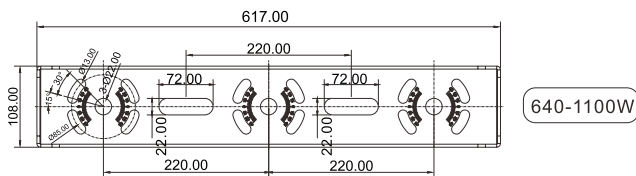
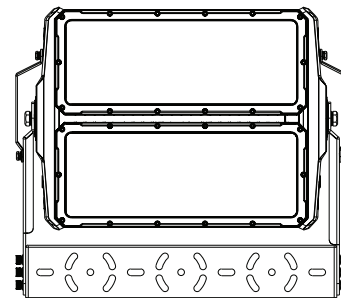
320-550W

1 Modules system

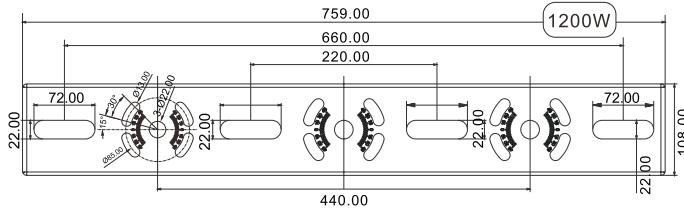


600W

2 Modules system

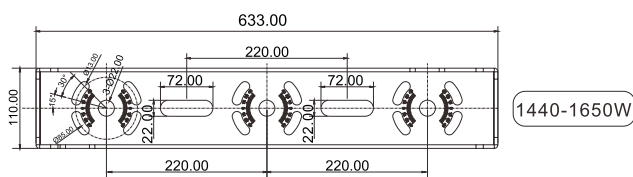
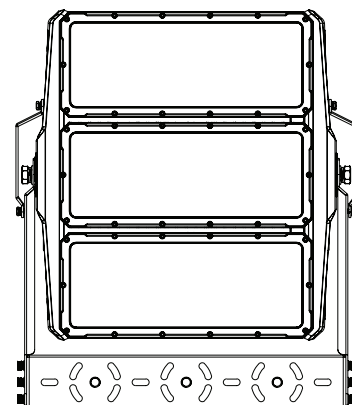


640-1100W

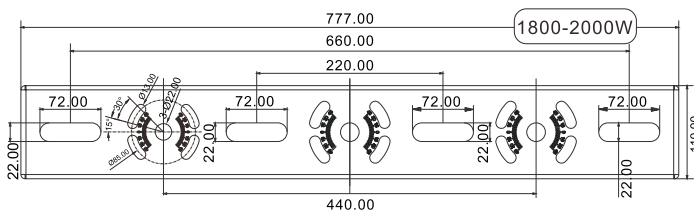


1200W

3 Modules system



1440-1650W



1800-2000W

Scale interval

Used for accurate positioning when installing lamps.