

GARNET GLOWBOX M



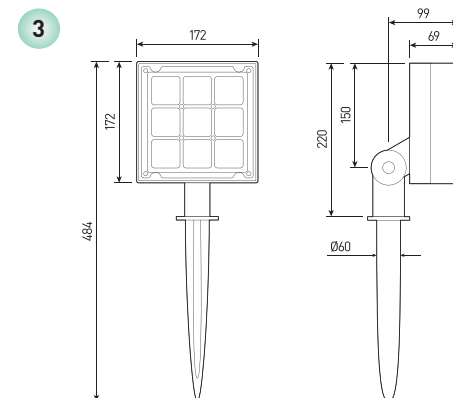
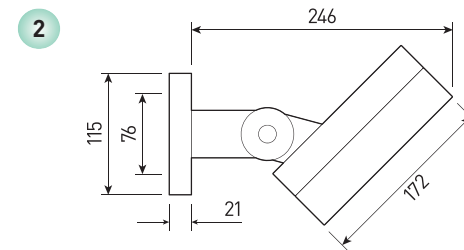
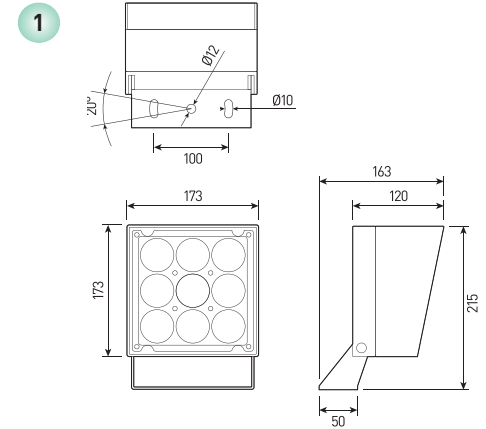
view



- 1 GARNET GLOWBOX M bracket
- 2 GARNET GLOWBOX M pole mount
- 3 GARNET GLOWBOX M spike



size



GARNET GLOWBOX M

Multifunctional spotlight for architectural lighting.

Multichip 4-in-1 RGB+W Tunable White with DMX-512 operated, mounting version: on surface, to pillar

Housing:	Pressure die-cast aluminum alloy with polyester powder paint.
Housing color:	Black, Grey, RAL
Beam angle:	2.5°, 4.5°, 8°, 12°, 15°, 20°, 30°, 45°, 60°, 10x70°, 5x20°, 15x60°
IES protection classes:	Class I (SELV)
Color temperature, K:	2700K, 3000K, 4000K, 5000K, 6000K, R, G, B, RGB 3in1, RGBW 4in1, Tunable white
Input voltage, V:	36V, 220V
Control system:	On/Off, 1-10V, DMX-512, DALI, PWM, RDM
Ingress Protection Rating, IP:	IP66
Operating temperature:	-40°C ~ +50°C
Weight:	3.7 kg

Article	Name	Power, W	Dimensions, mm	Input voltage, V	Beam angle, degrees	Color temperature, K	Weight, kg
622200040	GARNET GLOWBOX M 45W 24V/220V IP66 Single Color	45W	173x173x120	36V, 220V	2.5°, 4.5°, 8°, 12°, 20°, 30°, 45°, 60°, 10x70°, 5x20°	2700K, 3000K, 4000K, 5000K, 6000K, R, G, B	3.7
622200042	GARNET GLOWBOX M 60W 24V RGBW 4in1 IP66	60W	173x173x120	36V	8°, 15°, 20°, 30°, 15x60°	RGBW	3.7