

GIO SQUARE S



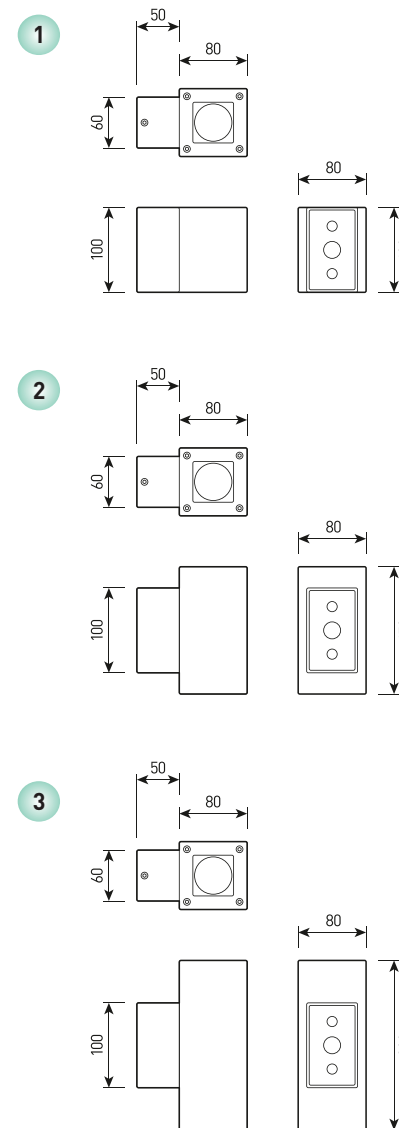
view



- 1 GIO SQUARE S 100mm
- 2 GIO SQUARE S 150mm
- 3 GIO SQUARE S 200mm



size



GIO SQUARE S

Wall mounted LED luminaire for architectural lighting

Housing:	Stainless steel
Beam angle:	12°, 24°, 36°, 60°
Housing color:	Mirrored steel, Brushed steel
IES protection classes:	Class I
Color temperature:	3000K ,4000K, 6000K
Input voltage:	220 V
Control system:	On/Off
Ingress Protection Rating, IP:	IP65
Operating temperature:	-40°C ~ +50°C
Weight:	2.0-3.2 kg

Article	Name	Power	Dimensions, mm	Input voltage	Beam angle	Color temperature	Weight, kg
644012236	GIO SQUARE S 100mm 1x10W 220V IP65	1x10W	80x80x100	220V	12°, 24°, 36°, 60°	3000K ,4000K, 6000K	2.0
644012238	GIO SQUARE S 150mm 1x10W 220V IP65	1x10W	80x80x150	220V	12°, 24°, 36°, 60°	3000K ,4000K, 6000K	2.5
644012240	GIO SQUARE S 200mm 1x10W 220V IP65	1x10W	80x80x200	220V	12°, 24°, 36°, 60°	3000K ,4000K, 6000K	3.0
644012254	GIO SQUARE S TWIN 100mm 2x8W 220V IP65	2x8W	80x80x100	220V	12°, 24°, 36°, 60°	3000K ,4000K, 6000K	2.1
644012256	GIO SQUARE S TWIN 150mm 2x8W 220V IP65	2x8W	80x80x150	220V	12°, 24°, 36°, 60°	3000K ,4000K, 6000K	2.6
644012258	GIO SQUARE S TWIN 200mm 2x8W 220V IP65	2x8W	80x80x200	220V	12°, 24°, 36°, 60°	3000K ,4000K, 6000K	3.2

GIO SQUARE M



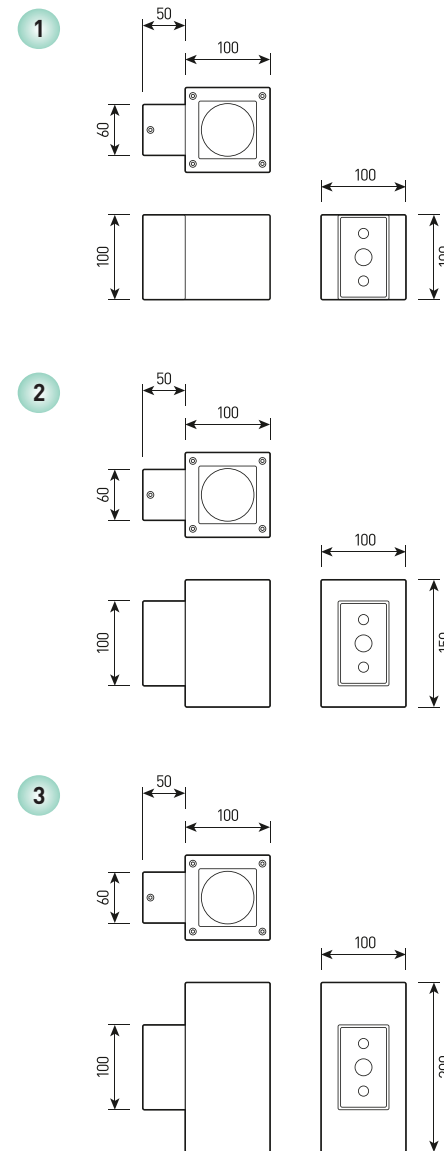
view



- 1 GIO SQUARE M 100mm
- 2 GIO SQUARE M 150mm
- 3 GIO SQUARE M 200mm



size



GIO SQUARE M

Wall mounted LED luminaire for architectural lighting

Housing:	Stainless steel
Beam angle:	12°, 24°, 36°, 60°
Housing color:	Mirrored steel, Brushed steel
IES protection classes:	Class I
Color temperature:	3000K ,4000K, 6000K
Input voltage:	220 V
Control system:	On/Off
Ingress Protection Rating, IP:	IP65
Operating temperature:	-40°C ~ +50°C
Weight:	2.2-3.5 kg

Article	Name	Power	Dimensions, mm	Input voltage	Beam angle	Color temperature	Weight, kg
644012242	GIO SQUARE M 100mm 1x15W 220V IP65	1x15W	100x100x100	220V	12°, 24°, 36°, 60°	3000K ,4000K, 6000K	2.2
644012244	GIO SQUARE M 150mm 1x15W 220V IP65	1x15W	100x100x150	220V	12°, 24°, 36°, 60°	3000K ,4000K, 6000K	2.8
644012246	GIO SQUARE M 200mm 1x15W 220V IP65	1x15W	100x100x200	220V	12°, 24°, 36°, 60°	3000K ,4000K, 6000K	3.3
644012260	GIO SQUARE M TWIN 100mm 2x8W 220V IP65	2x8W	100x100x100	220V	12°, 24°, 36°, 60°	3000K ,4000K, 6000K	2.3
644012262	GIO SQUARE M TWIN 150mm 2x8W 220V IP65	2x8W	100x100x150	220V	12°, 24°, 36°, 60°	3000K ,4000K, 6000K	2.9
644012264	GIO SQUARE M TWIN 200mm 2x8W 220V IP65	2x8W	100x100x200	220V	12°, 24°, 36°, 60°	3000K ,4000K, 6000K	3.5

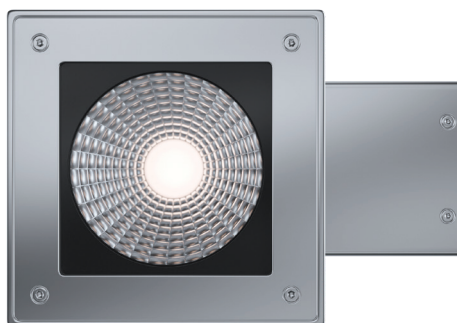
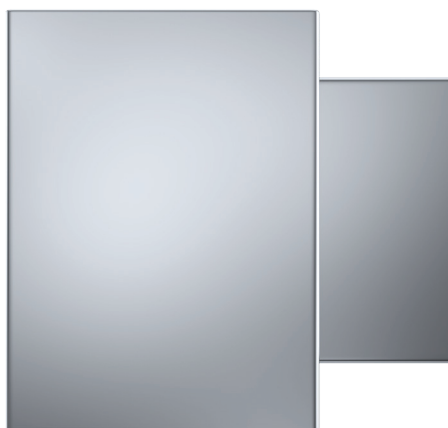
GIO SQUARE L



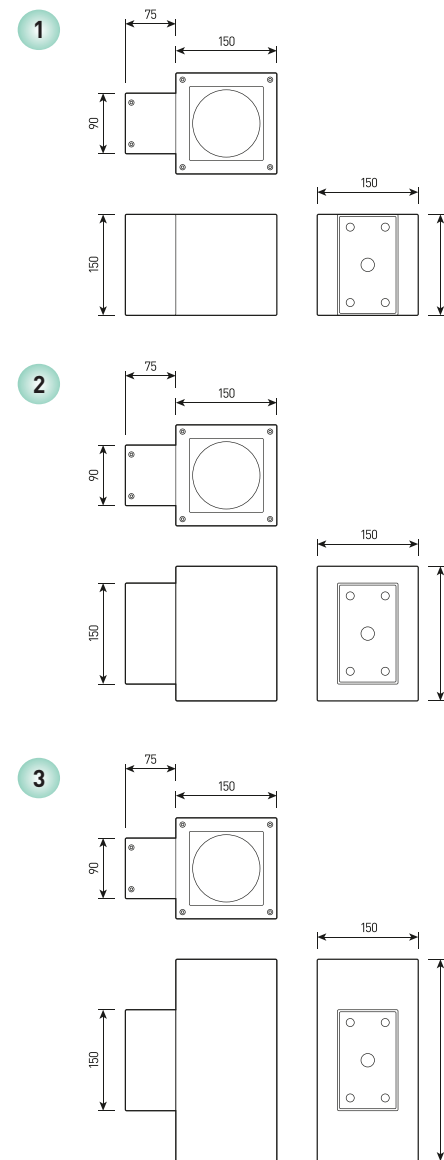
view



- 1 GIO SQUARE L 150mm
- 2 GIO SQUARE L 200mm
- 3 GIO SQUARE L 300mm



size



GIO SQUARE L

Wall mounted LED luminaire for architectural lighting

Housing:	Stainless steel
Beam angle:	12°, 24°, 36°, 60°
Housing color:	Mirrored steel, Brushed steel
IES protection classes:	Class I
Color temperature:	3000K ,4000K, 6000K
Input voltage:	220 V
Control system:	On/Off
Ingress Protection Rating, IP:	IP65
Operating temperature:	-40°C ~ +50°C
Weight:	4.4-7.0 kg

Article	Name	Power	Dimensions, mm	Input voltage	Beam angle	Color temperature	Weight, kg
644012248	GIO SQUARE L 150mm 1x30W 220V IP65	1x30W	150x150x150	220V	12°, 24°, 36°, 60°	3000K ,4000K, 6000K	4.4
644012250	GIO SQUARE L 200mm 1x30W 220V IP65	1x30W	150x150x200	220V	12°, 24°, 36°, 60°	3000K ,4000K, 6000K	5.5
644012252	GIO SQUARE L 300mm 1x30W 220V IP65	1x30W	150x150x300	220V	12°, 24°, 36°, 60°	3000K ,4000K, 6000K	6.7
644012266	GIO SQUARE L TWIN 150mm 2x20W 220V IP65	2x20W	150x150x150	220V	12°, 24°, 36°, 60°	3000K ,4000K, 6000K	4.6
644012268	GIO SQUARE L TWIN 200mm 2x30W 220V IP65	2x30W	150x150x200	220V	12°, 24°, 36°, 60°	3000K ,4000K, 6000K	5.8
644012270	GIO SQUARE L TWIN 300mm 2x30W 220V IP65	2x30W	150x150x300	220V	12°, 24°, 36°, 60°	3000K ,4000K, 6000K	7.0