

# GLOWMAX

## USER MANUAL



The luminaire shall be installed by a qualified electrician and wired in accordance with the latest IEE electrical regulations or the national requirements.

# Installation Instructions

---

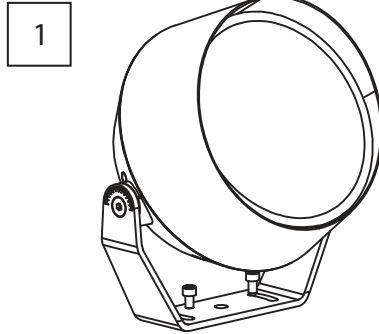
## A. Technical Parameters

Product name	GLOWMAX
Product code	622
Input Voltage	DC 36V, AC 220V
Power	120W - 360W
Power Factor	>0.9
Beam Angle	1.5°, 2°, 5°, 8°, 12°, 12.5°, 20°, 30°, 60°, 10x70°, 5x20°, 15x60°
Color temperature	SINGLE COLOR, R, G, B, RGB 3in1, RGBW 4in1, RGBWCLA 7in1, Tunable White
Colour rendering index	>70 CRI
Working Environment	-40°C to +50°C
Dimensions	360x253x400mm, 435x286x483mm
Net weight	10.0 - 13.0 Kg
Control Mode	On/Off, 1-10V, DMX-512, RDM, DALI

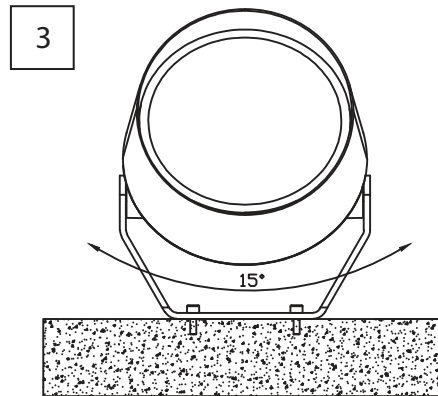
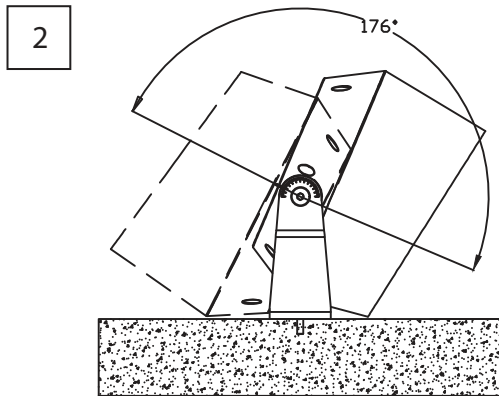
# Installation Instructions

## Installation on the mounting surface

1. According to step 1, 2, fix the bracket on the mounting surface.



2. According to step 3, connect the wire through the hole of the bracket and fix it.



3. According to step 2, 3, fix and adjust the bracket as your project needed.

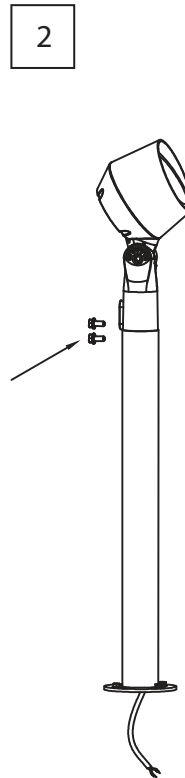
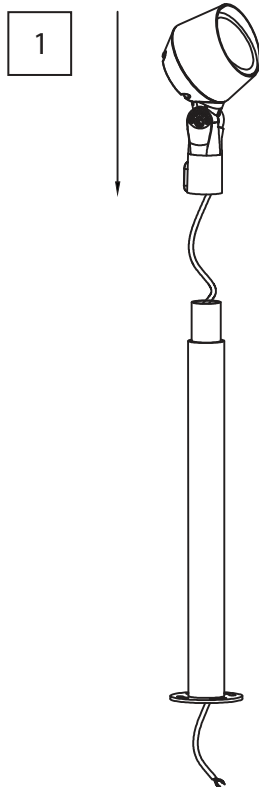
## 4. Notes

The fixture must get reliable connection with the mounting surface, any screws in the lamps should not be arbitrarily loosened. There is no special requirement on the installation direction.

# Installation Instructions

## Installation on the pole

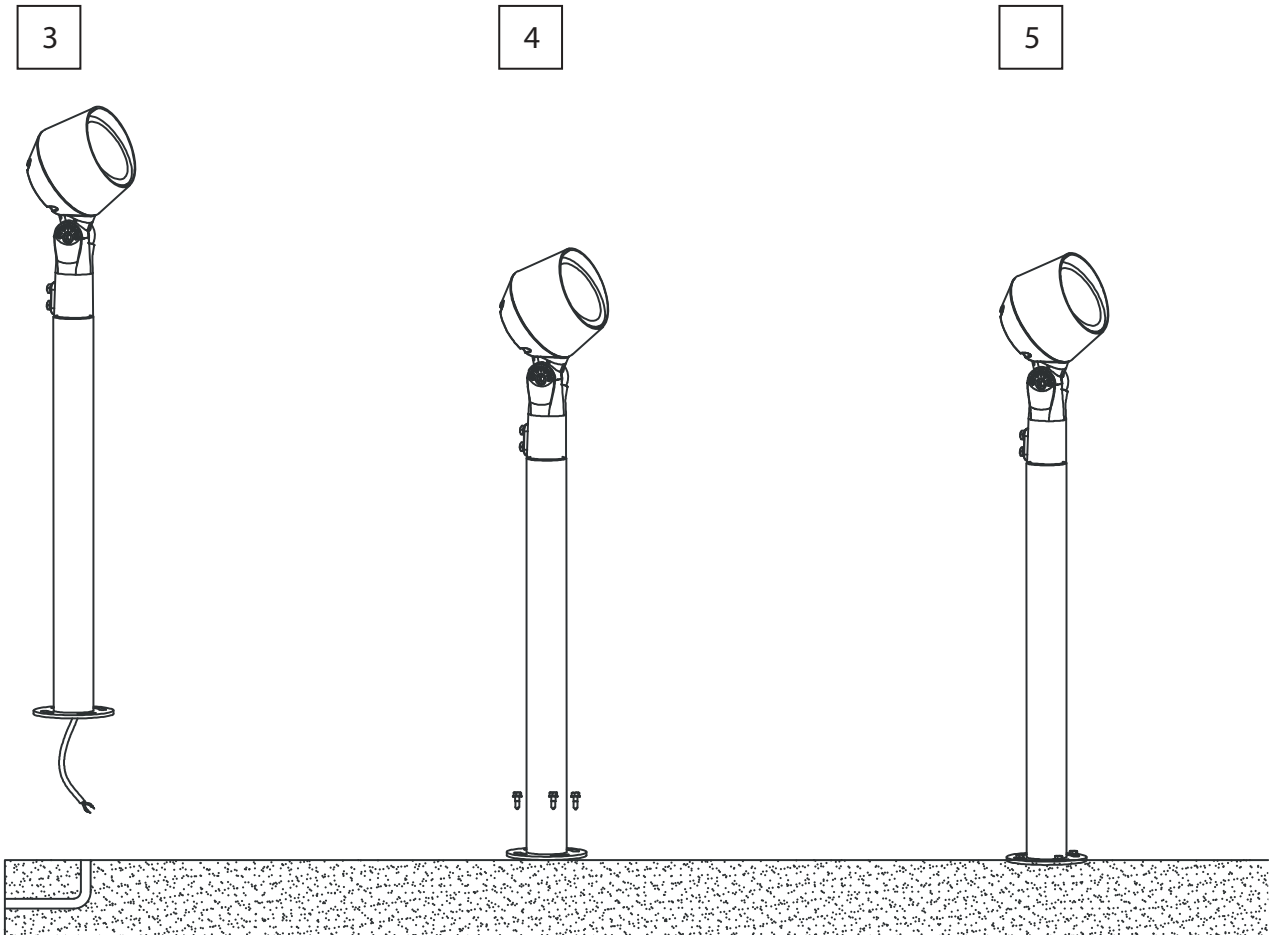
1. Install the floodlight on the support.
2. Fasten the luminaire to the support with screws.



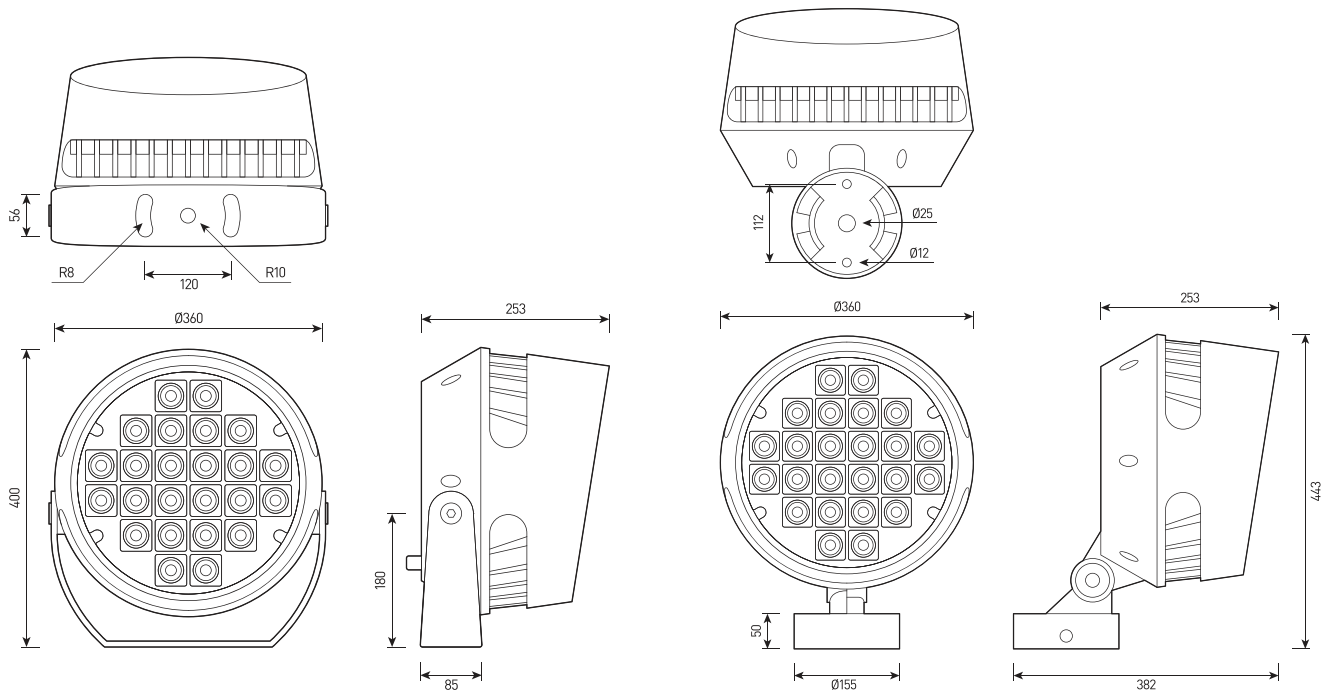
## Installation Instructions

---

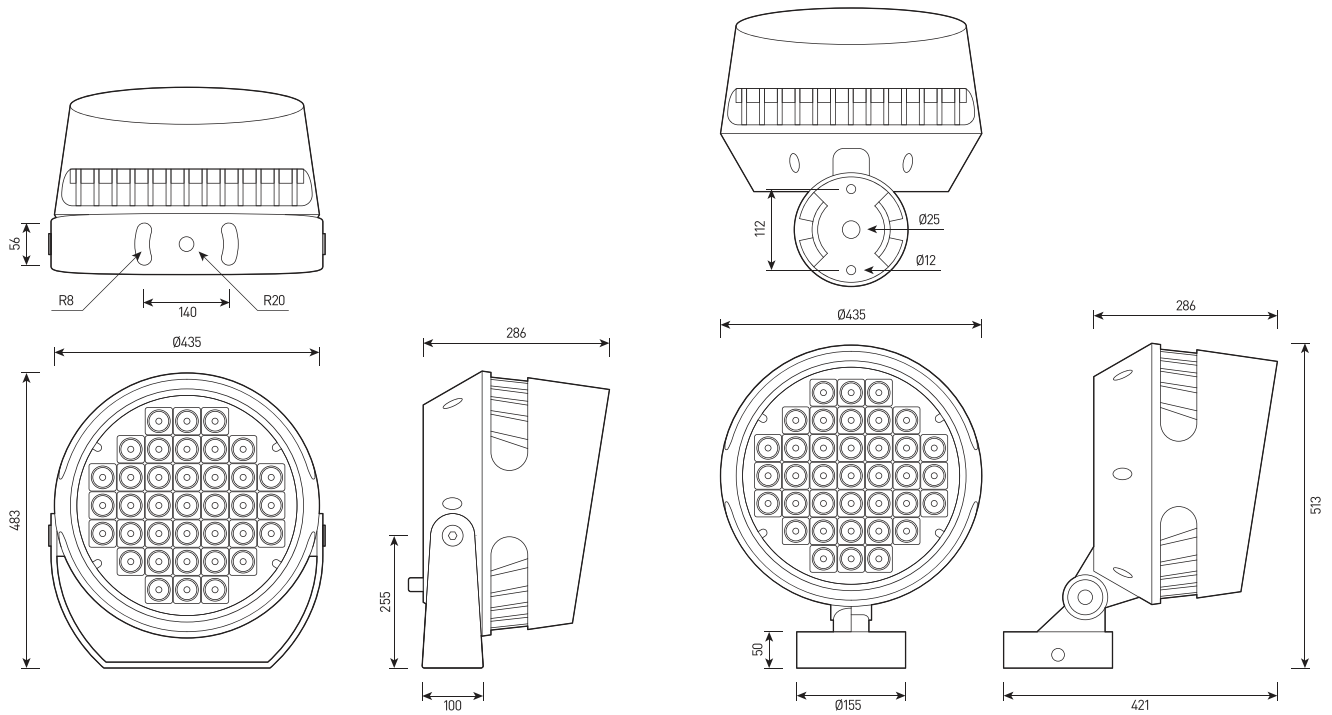
3. Place the structure on the mounting surface.
4. Fix the support with the lamp with screws.
5. Done.



# Overall dimensions

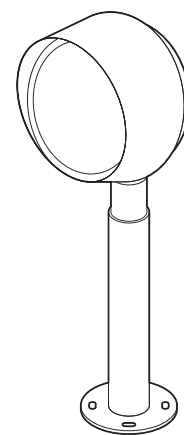
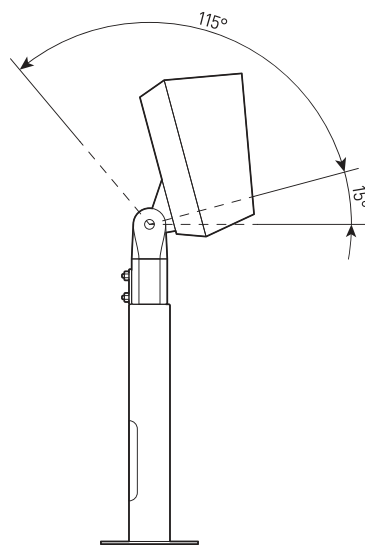
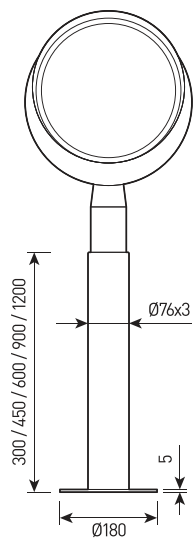
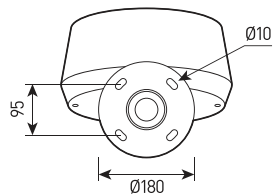


GLOWMAX I



GLOWMAX II

## Overall dimensions



POLE MOUNTING