

HOVER

USER MANUAL



The luminaire shall be installed by a qualified electrician and wired in accordance with the latest IEE electrical regulations or the national requirements.

Installation Instructions

A. Technical Parameters

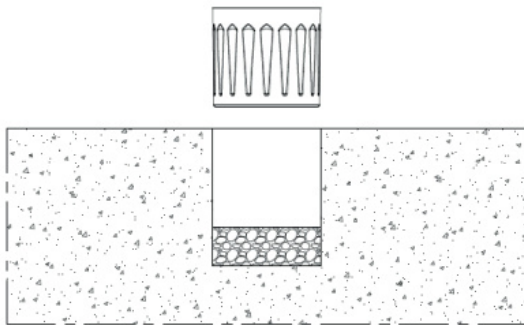
Product name	HOVER
Product code	791
Input Voltage	DC 24V, AC 220V
Power	10W - 90W
Power Factor	>0.9
Beam Angle	4.5°, 8°, 12°, 20°, 30°, 60°, 5x20°, 10x30°, 10x60°, 10x70°
Color temperature	SINGLE COLOR, RGB 3in1, RGBW 4in1
Colour rendering index	>70 CRI
Working Environment	-40°C to +50°C
Dimensions	D135x140mm, D185x188mm, D215x208mm, D280x240mm, D280x240mm, D300x260mm
Net weight	1.0 - 5.0 Kg
Control Mode	On/Off, DMX-512, 1-10V, DALI

Observe the following dos and don'ts

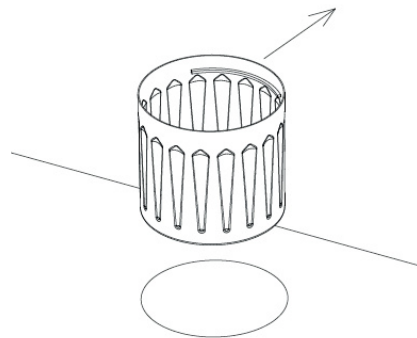
1. Install in the IP67 environment or beneath the IP67.
2. Prohibit punching any position of lamps
3. Please turn off the power and contact the dealer for problems in connection or other abnormal cases.
4. Installed by the qualified electrician holding a certificate.
5. Prohibit operating the lamps beyond the voltage scope as nation stipulated
6. Don't make the external power cable exposed during wiring.

Installation Instructions

1. According to step 1, laying 20cm or much deeper water-seepage sand in the mounting hole before installing the buried barrel.
2. According to step 2, install the buried barrel.

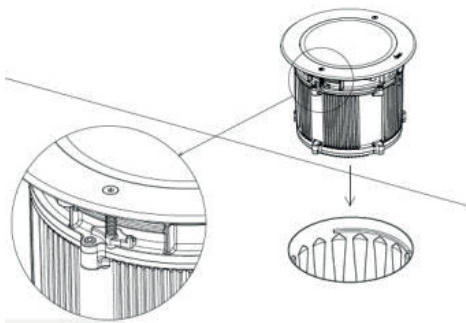


Step 1

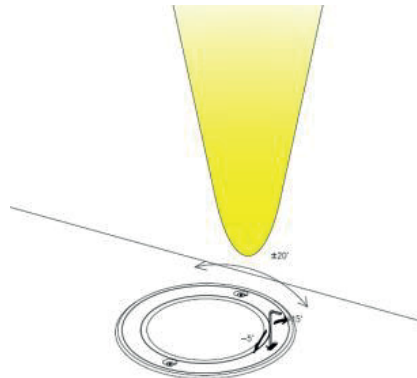


Step 2

3. According to step 3, install the lamp body of LED inground light.
4. According to step 4, tilted the lamp lighting direction. -5degree to +15degree on vertical direction, and -20degree to +20degree on horizontal direction.



Step 3



Step 4

5. Notes

The buried barrel must get reliable connection with the lamp body, any screws in the lamps should not be arbitrarily loosed. There is no special requirement on the installation depth.

Remarks for the cables

When you get the fixture, please check and find the relative version and confirm its Color Temperature, Electrical class, the cable out.