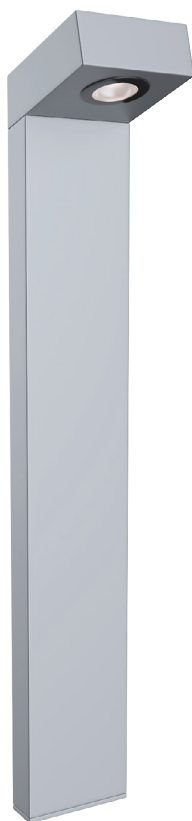


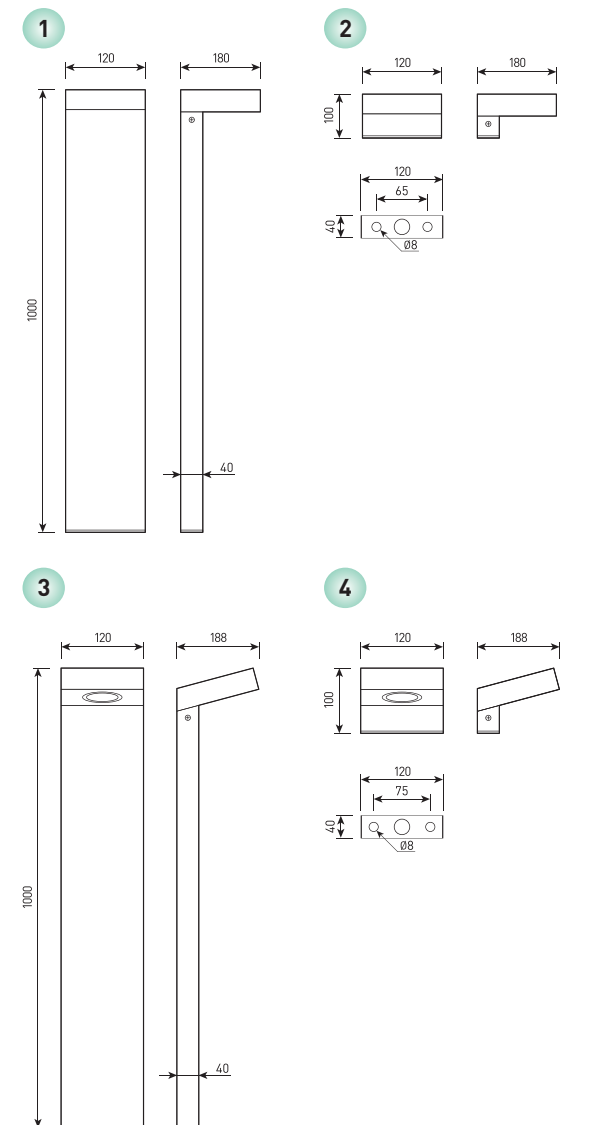
view



- 1 JEFF 1000mm
- 2 JEFF 100mm
- 3 JEFF (ANGLE) 1000mm
- 4 JEFF (ANGLE) 100mm



size



JEFF

Luminaire for the lanscape lighting

Housing:	Pressure die-cast aluminum alloy with polyester powder paint
Housing color:	Grey, RAL
Beam angle:	120°
IES protection classes:	Class I (SELV)
Color temperature, K:	3000K, 4000K, 5000K
Input voltage, V:	220V
Control system:	On/Off
Ingress Protection Rating, IP:	IP65
Operating temperature:	-40°C ~ +50°C
Weight:	1.5 - 5.2 kg

Article	Name	Power, W	Dimensions, mm	Input voltage, V	Beam angle, degrees	Color temperature, K	Weight, kg
692190040	JEFF 100mm 10W 220V IP65	10W	180x120x100	220V	120°	3000K, 4000K, 5000K	1.5
692190050	JEFF 1000mm 10W 220V IP65	10W	180x120x1000	220V	120°	3000K, 4000K, 5000K	5.2
692190055	JEFF (ANGLED) 100mm 10W 220V IP65	10W	188x120x100	220V	120°	3000K, 4000K, 5000K	1.5
692190065	JEFF (ANGLED) 1000mm 10W 220V IP65	10W	188x120x1000	220V	120°	3000K, 4000K, 5000K	5.2