

view

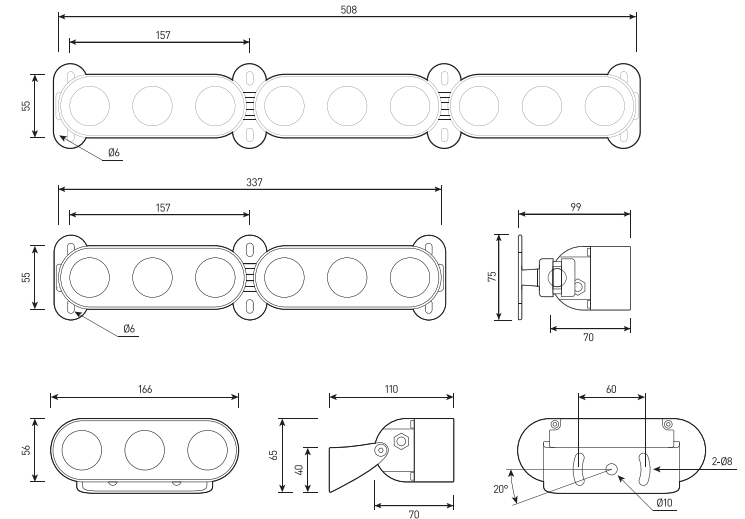


1 KREUS Bracket Type 1

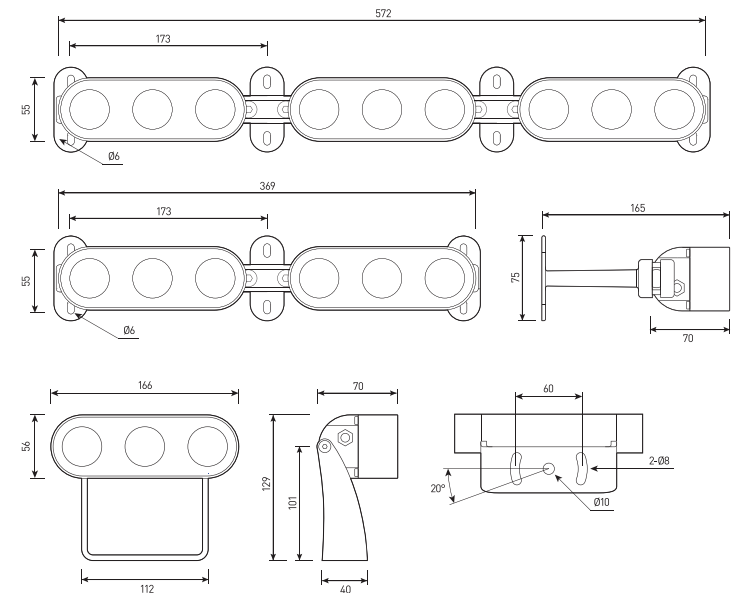
2 KREUS Bracket Type 2

size

1



2



KREUS

Compact floodlight with the possibility of connecting to a chain

Housing:	Pressure die-cast aluminum alloy with polyester powder paint
Beam angle:	6°, 9°, 10°, 12°, 15°, 20°, 30°, 45°, 60°, 10X70°, 5X20°, 15X60°
Housing color:	Black, Grey, RAL
IES protection classes:	Class I (SELV)
Color temperature:	2700K, 3000K, 4000K, 5000K, 6000K, RGBW 4in1
Input voltage:	24V, 220V
Control system:	On/Off, DMX-512, RDM
Ingress Protection Rating, IP:	IP66
Operating temperature:	-40°C ~ +50°C
Weight:	1.3 kg

Article	Name	Power, W	Dimensions, mm	Input voltage, V	Beam angle, degrees	Color temperature, K	Weight, kg
811015010	KREUS 15W WHITE 24V/220V IP66	15W	166x56x110	24V, 220V	6°, 12°, 20°, 30°, 45°, 60°, 10X70°, 5X20°	2700K, 3000K, 4000K, 5000K, 6000K	1.3
811015030	KREUS 12W RGBW 4in1 DMX 24V IP66	12W	166x56x110	24V	10°, 20°, 30°, 15X60°	RGBW	1.3
811015040	KREUS 24W RGBW 4in1 DMX 24V IP66	24W	166x56x110	24V	9°, 15°, 20°, 30°, 45°, 15X60°	RGBW	1.3