

KREUS

USER MANUAL



The luminaire shall be installed by a qualified electrician and wired in accordance with the latest IEE electrical regulations or the national requirements.

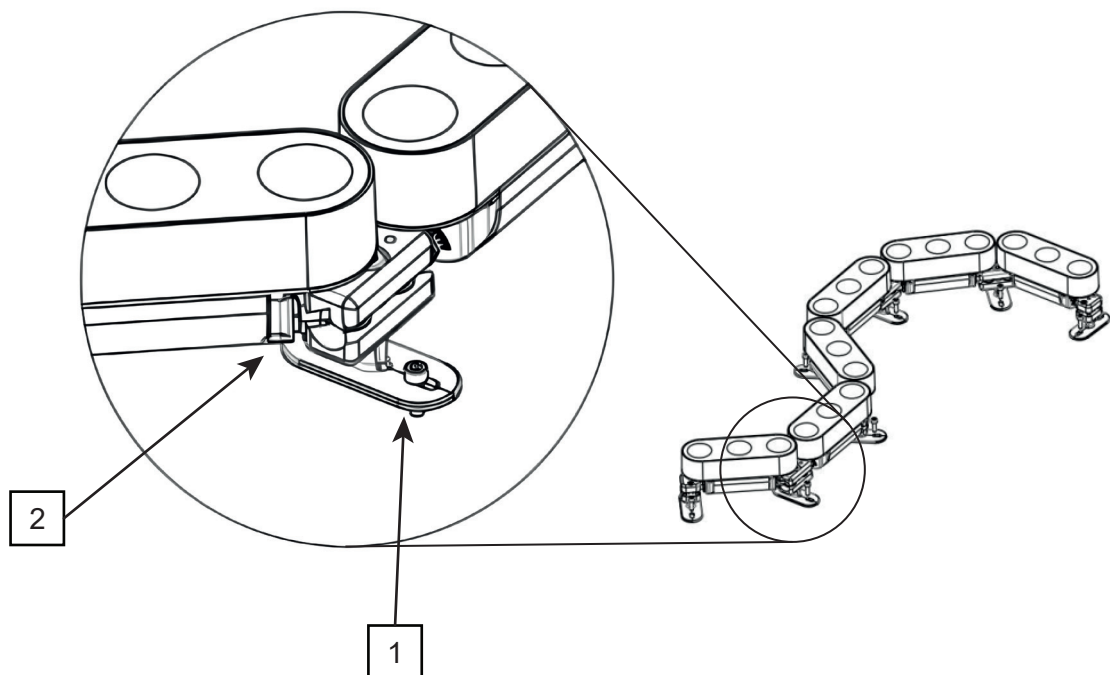
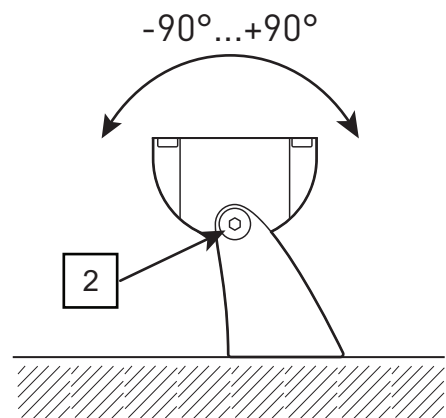
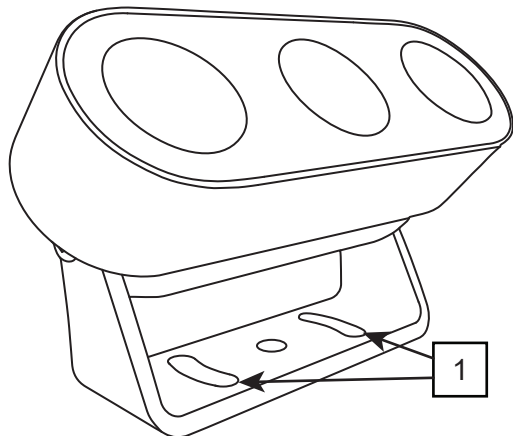
Installation Instructions

A. Technical Parameters

Product name	KREUS
Product code	811
Input Voltage	DC 24V, AC 220V
Power	12 - 24W
Power Factor	>0.9
Beam Angle	6°, 9°, 10°, 12°, 15°, 20°, 30°, 45°, 60°, 10X70°, 5X20°, 15X60°
Color temperature	SINGLE COLOR, RGBW
Colour rendering index	>70 CRI
Working Environment	-40°C to +50°C
Dimensions	166x56x110mm, 166x56x165mm
Net weight	1.3 Kg
Control Mode	On/Off, DMX-512, RDM

Installation Instructions

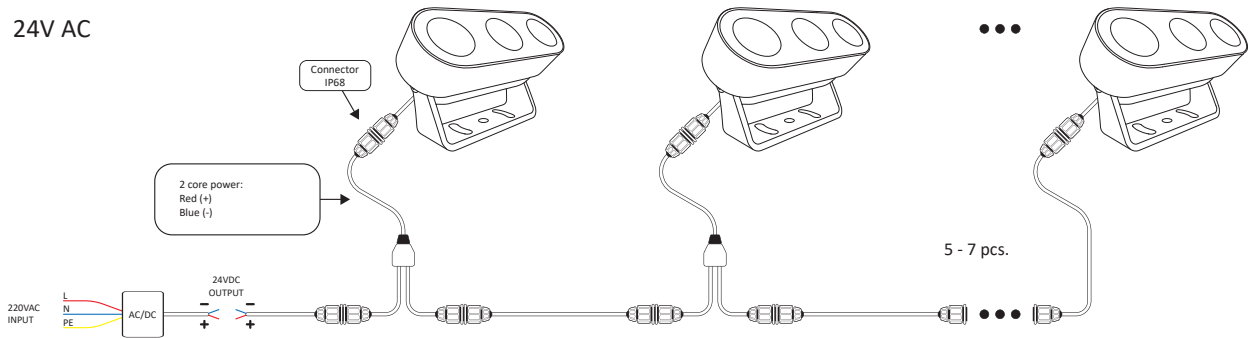
1. Set the required horizontal rotation angle and fix the lamp on the mounting surface with screws.
2. Loosen the mounting bracket and set the desired angle of the lamp.



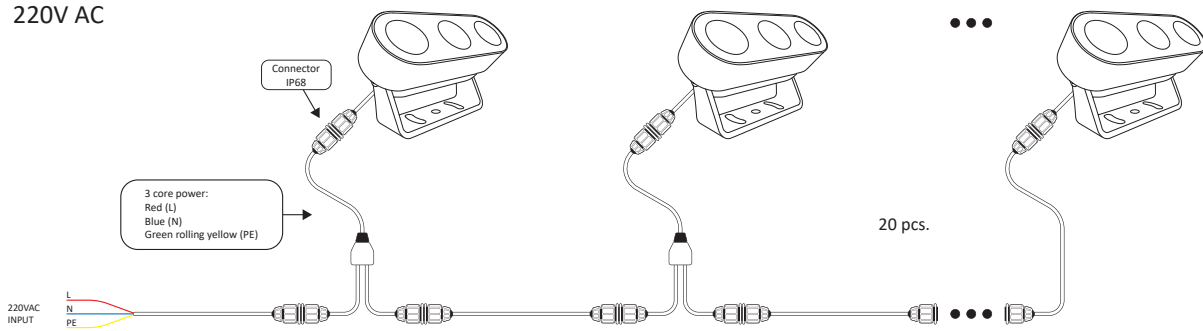
Notes: The fixture must get reliable connection with the mounting surface, any screws in the lamps should not be arbitrarily loosened. There is no special requirement on the installation direction.

Installation Instructions

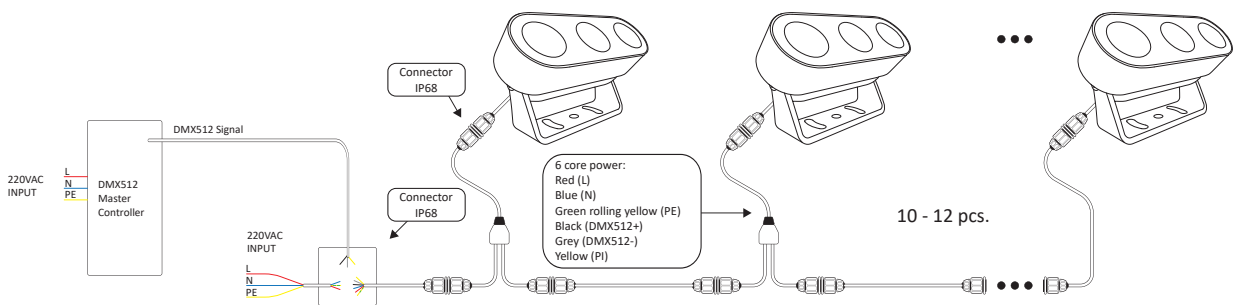
24V AC



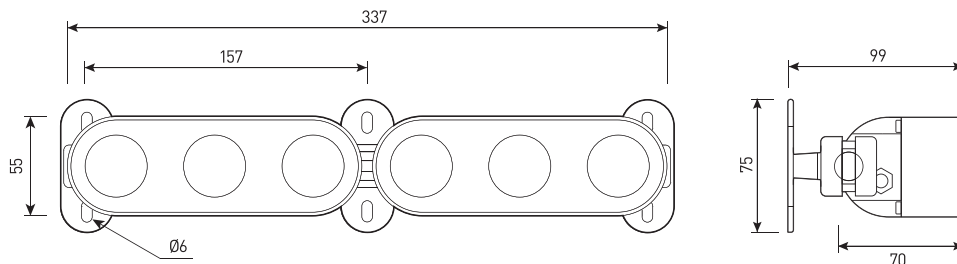
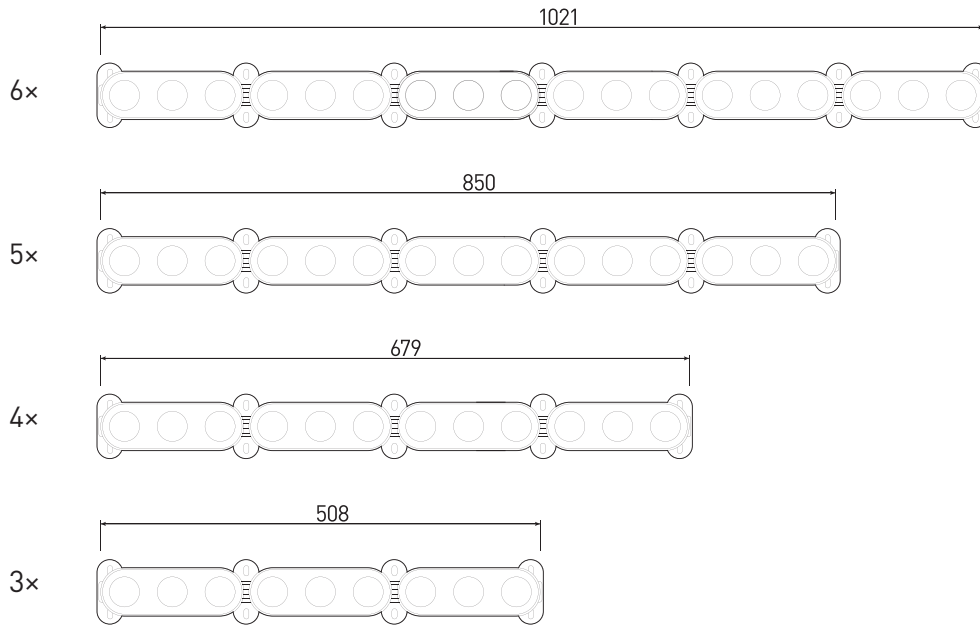
220V AC



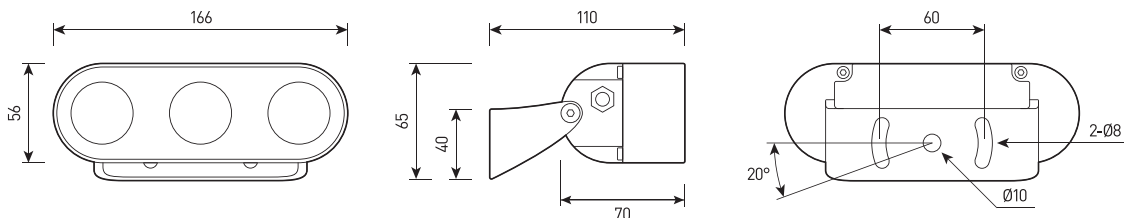
24V DC DMX-512



Overall dimensions

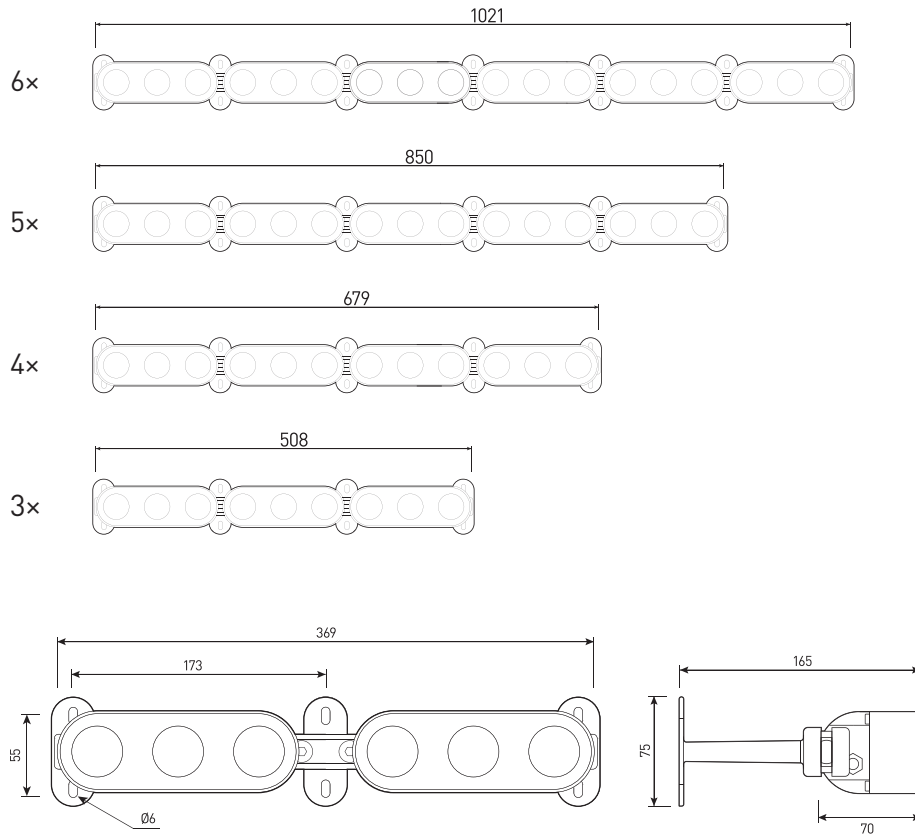


Type 1 KREUS bracket. Chain-type version

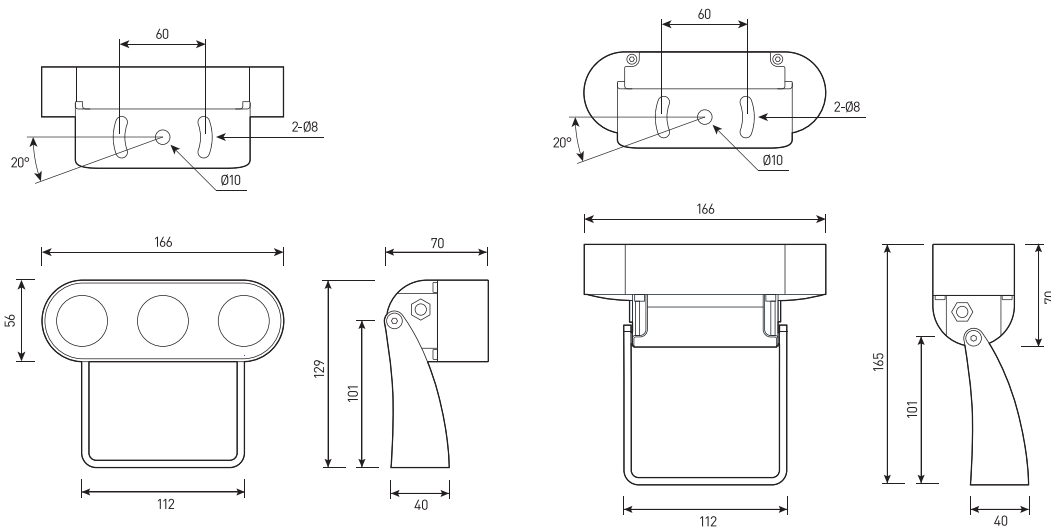


Type 1 KREUS bracket

Overall dimensions



Type 2 KREUS bracket. Chain-type version



Type 2 KREUS bracket