

LYNX RS LYNX RM

USER MANUAL



The luminaire shall be installed by a qualified electrician and wired in accordance with the latest IEE electrical regulations or the national requirements.

Installation Instructions

Technical Parameters

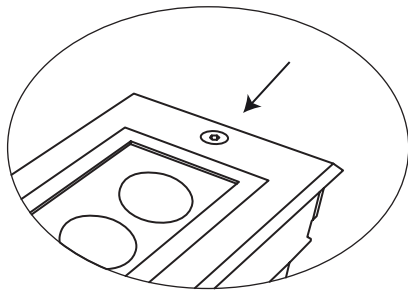
Product name	LYNX RS, LYNX RM
Product code	825
Input Voltage	DC 24 V, AC 220 V
Power	7–100 W
Power Factor	>0.9
Beam Angle	2.5°, 6°, 8°, 9°, 12°, 20°, 30°, 45°, 60° 5x20°, 10x30°, 10x60°, 10x70°, 15x60°, 15x25°, 15x30°
Color temperature	2700K, 3000K, 4000K, 5000K, 6000K, RGBW4in1
Colour rendering index	>70 CRI
Working Environment	–40°C to +50°C
Dimensions	300x114x80 mm, 500x114x80 mm, 1000x114x80 mm 300x110x130 mm, 500x110x130 mm, 1000x110x130 mm
Net weight	3.0–15.0 Kg
Control Mode	On/Off, 1-10V, DALI, DMX-512

Installation Instructions

Installation on the mounting surface

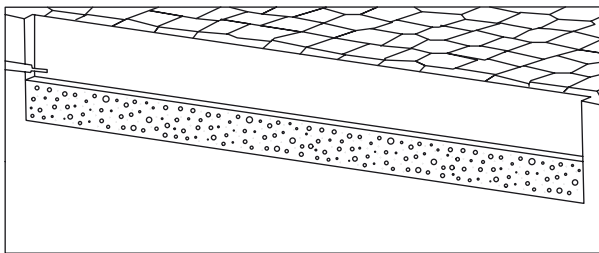
1. Loosen the mounting cup mounting screw and remove it.

1

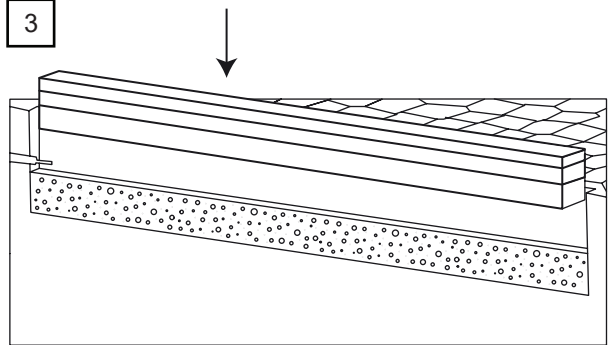


2. Before installing the mounting cup in the ground, place a sand cushion at least 20 cm deep in the mounting hole.
3. Install the mounting cup.

2

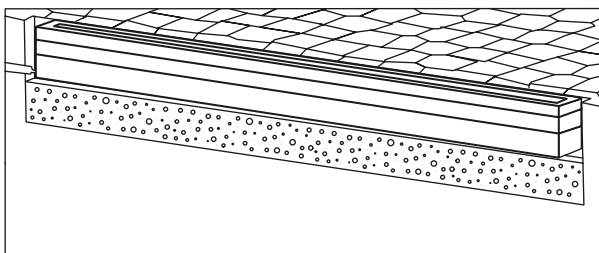


3

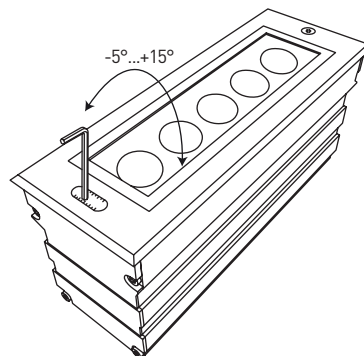


4. Install the lamp in the mounting cup by deliberately connecting the power cable to the device.
5. Set the desired angle of inclination of the lamp matrix using a hex key.

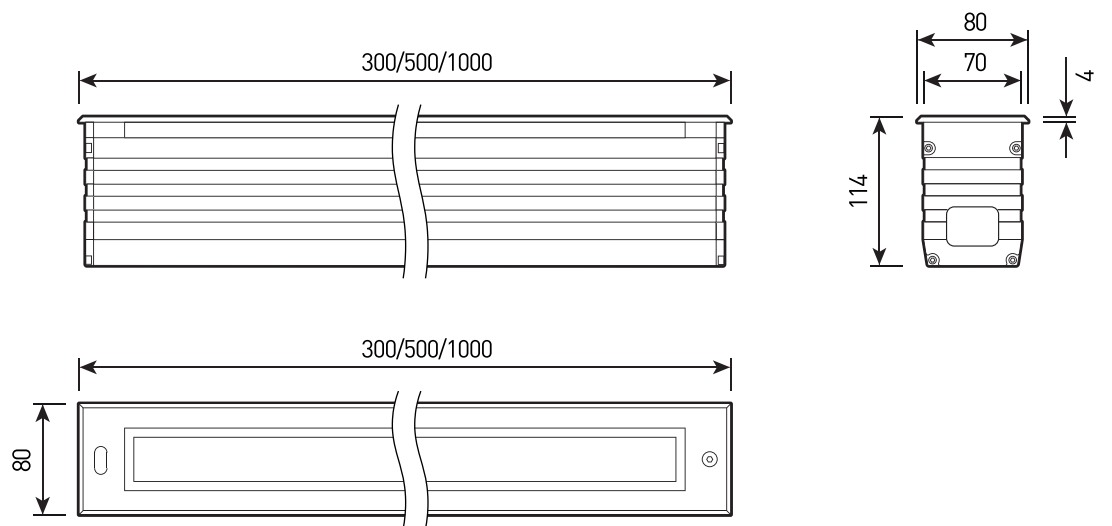
4



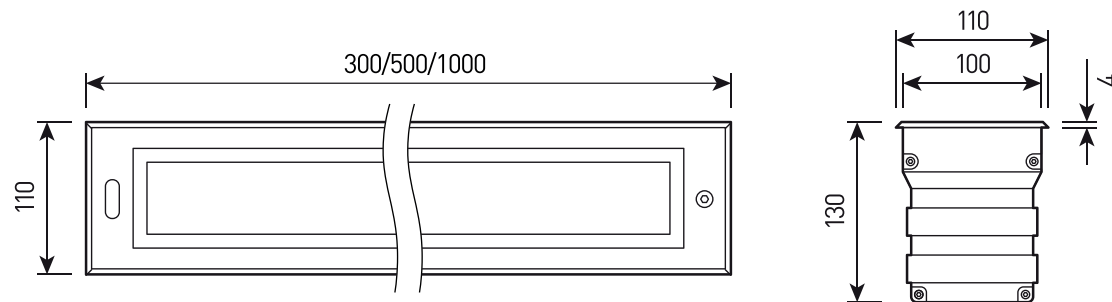
5



Overall dimensions



LYNX RS



LYNX RM