

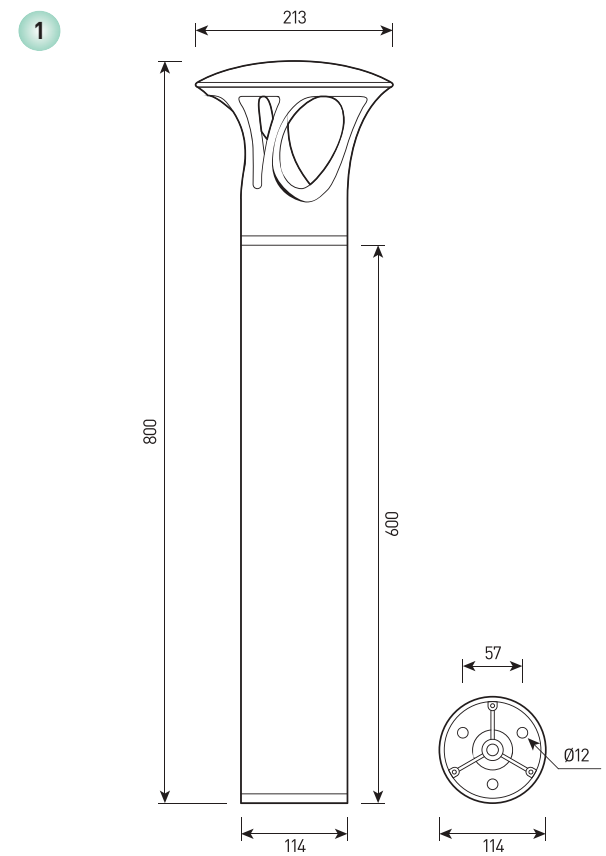
view



1 MARAL



size



MARAL

A lamp for landscape lighting.

Housing:	Pressure die-cast aluminum alloy with polyester powder paint.
Beam angle:	120°
Housing color:	Black, Gray, RAL
IES protection classes:	Class I (SELV)
Color temperature, K:	3000K, 4000K
Input voltage, V:	220V
Control system:	Switch On/Off
Ingress Protection Rating, IP:	IP65
Operating temperature:	-40°C ~ +50°C
Weight, kg:	4kg

Article	Name	Power, W	Dimensions, mm	Input voltage, V	Beam angle, degrees	Color temperature, K	Weight, kg
692190365	MARAL 20W 220V IP65	20W	D213x800	220V	120°	3000K, 4000K	4.0
692190370	MARAL 30W 220V IP65	30W	D213x800	220V	120°	3000K, 4000K	4.0
692190375	MARAL 40W 220V IP65	40W	D213x800	220V	120°	3000K, 4000K	4.0