

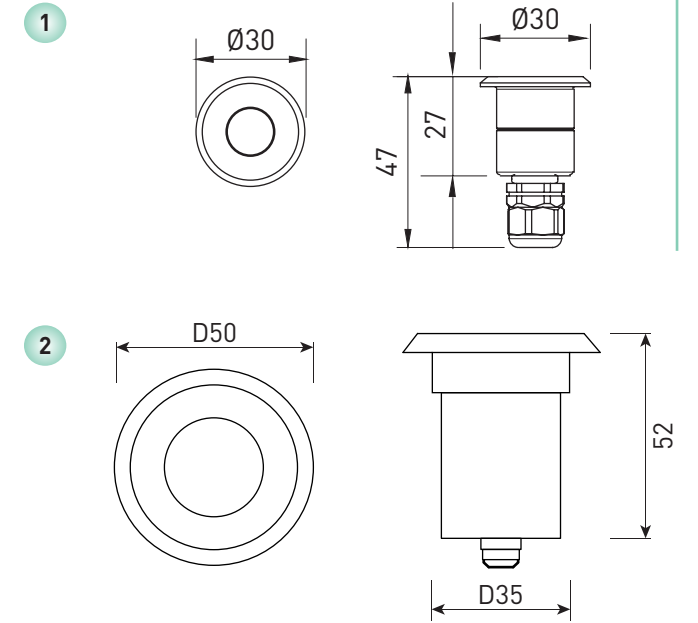
view



- 1 MICRA 0.5W
- 2 MICRA 2W



size



MICRA

Ground recessed miniature LED IP67 "marker" type lights

Housing:	Pressure die-cast aluminum alloy with polyester powder paint
Beam angle:	12.5°, 20°, 30°, 45°, 120°
Housing color:	Metallic
IES protection classes:	Class I (SELV)
Color temperature, K:	3000K, 4000K, 5000K, 6000K, RGB
Input voltage, V:	12V, 24V
Control system:	On/Off, DMX-512
Ingress Protection Rating, IP:	IP67
Operating temperature:	-40°C ~ +50°C
Weight, kg:	0.1 - 0.15 kg

Article	Name	Power, W	Dimensions, mm	Input voltage, V	Beam angle, degrees	Color temperature, K	Weight, kg
766003010	MICRA 0,5W SINGLE 12V/24V IP67	0.5W	D30x47	12V, 24V	120°	3000K, 4000K, 5000K, 6000K	0.1
766002010	MICRA 2W SINGLE 12V/24V IP67	2W	D50x52	12V, 24V	12.5°, 20°, 30°, 45°, 120°	3000K, 4000K, 5000K, 6000K	0.15
766002020	MICRA 2W RGB 12V/24V IP67	2W	D50x52	12V, 24V	12.5°, 20°, 30°, 45°, 120°	RGB	0.15