

MITCH

USER MANUAL



The luminaire shall be installed by a qualified electrician and wired in accordance with the latest IEE electrical regulations or the national requirements.

Installation Instructions

A. Technical Parameters

Product name	MITCH
Product code	744
Input Voltage	DC 24V
Power	5 - 15W
Beam Angle	20°, 30°, 45°, 60°, 20x40°, 120°
Color temperature	SINGLE COLOR, R, G, B, RGB 3in1, RGBW 4in1
Colour rendering index	>70 CRI
Working Environment	-40°C to +50°C
Dimensions	500x45x53mm, 1000x45x53mm
Net weight	0.5 - 1.0 Kg
Control Mode	On/Off, DMX-512

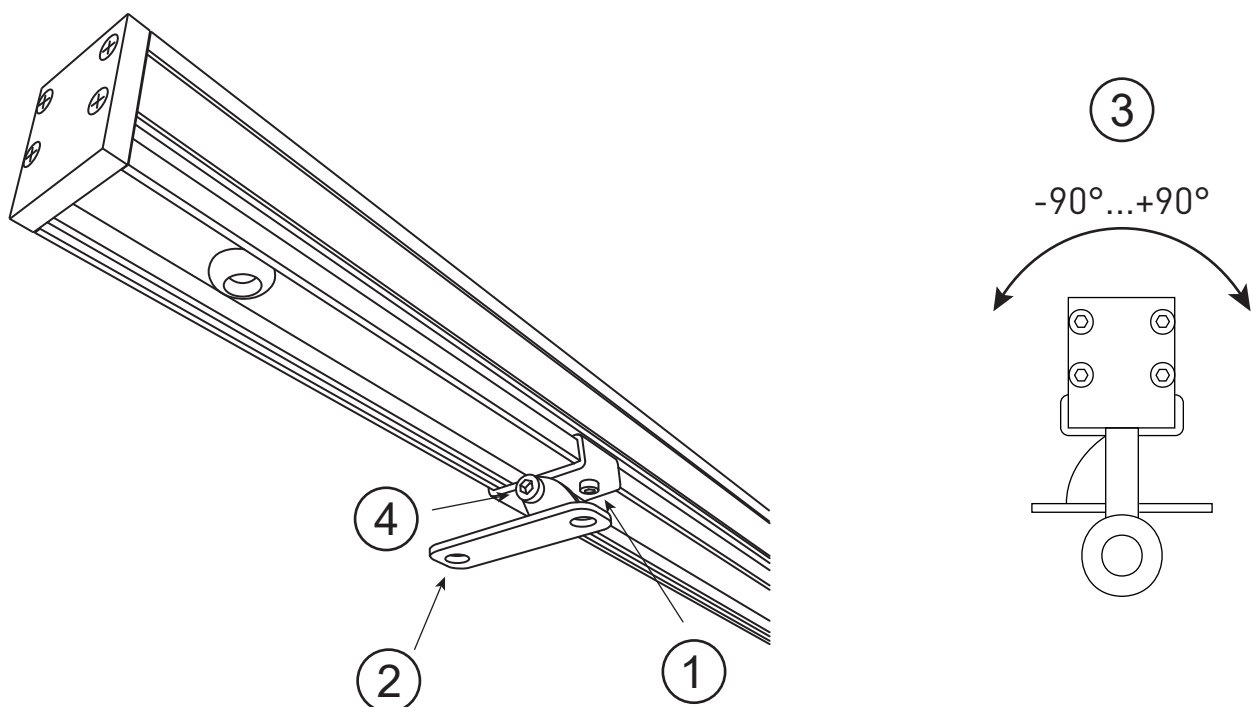
Installation Instructions

According to step 1, loosen the screw securing the brackets. Install the brackets in the desired position by moving them in the direction of the profile of the lamp, then fix the position of the brackets.

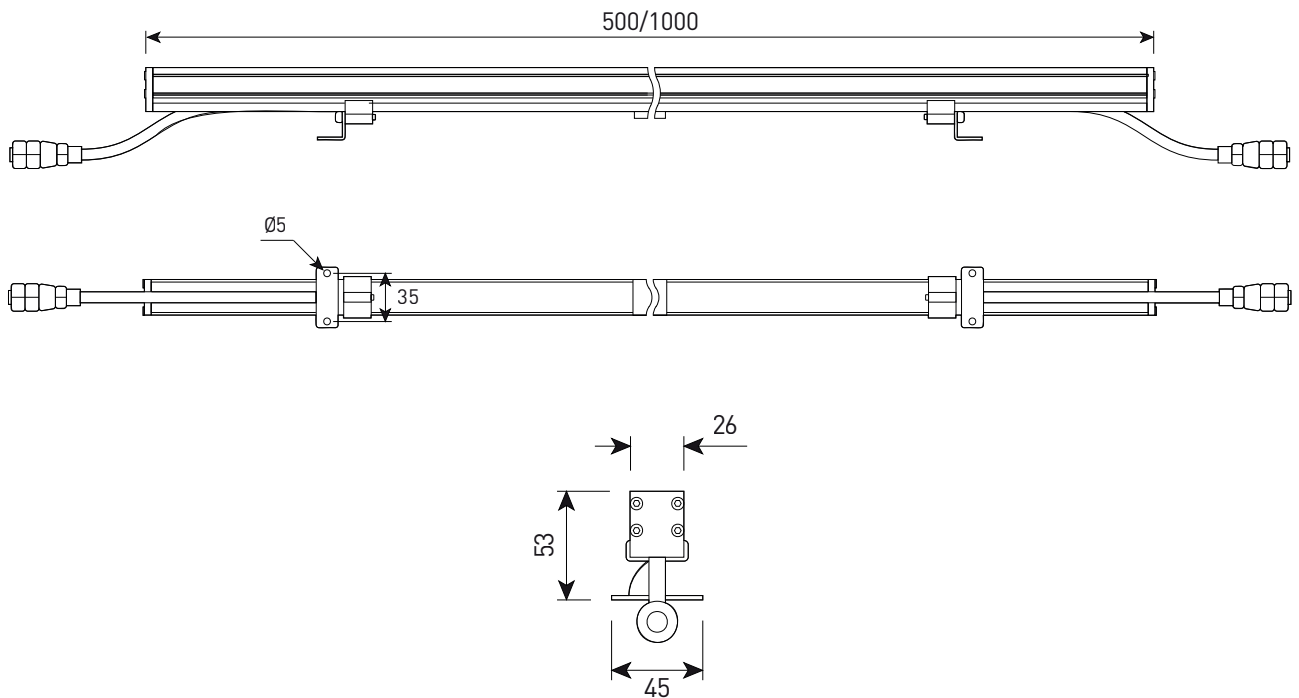
According to step 2, fix the lamp to the mounting surface with screws.

According to step 3, set the desired angle of rotation of the lamp.

According to step 4, fix the bracket with the desired angle.

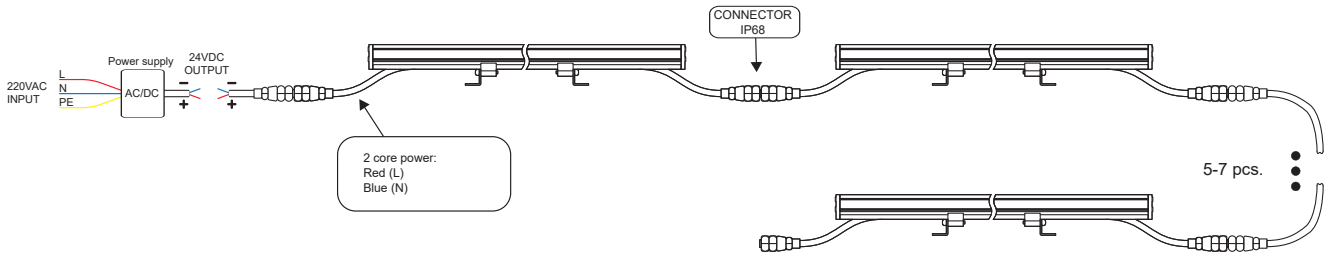


Overall dimensions



Connection diagram

24VDC SINGLE



24VDC DMX

