

# NEO 200 GOBO



view



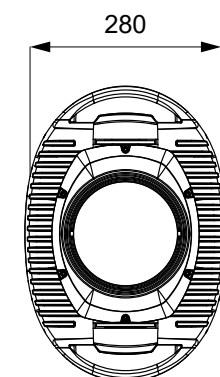
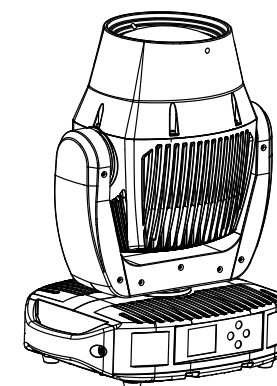
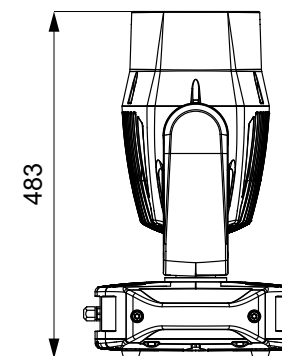
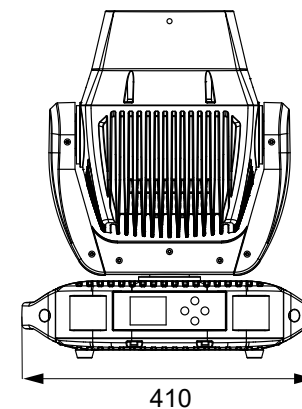
RAL



size

1 overall dimensions

1



# NEO 200 GOBO

OUTDOOR IP65 moving head for concerts/events, amusement park, theme park and the landmark building, hotel etc.  
 Solid fat, sharp and clean beam at 1.7°  
 Super-fast and precise X/Y movement, fast gobo-color effect and clean projection, plus the dual-prism overlay effect.

<b>Housing:</b>	Pressure die-cast aluminum alloy with polyester powder paint.
<b>Beam angle:</b>	1.7°
<b>Vertical Rotation:</b>	270°
<b>Horizontal Rotation:</b>	540°
<b>Rotation gobo wheel:</b>	9 dichroic filters
<b>Rotation color wheel:</b>	7 colors + CTO
	Flow effect, shake effect, bi-direction effect (clockwise and anticlockwise) for gobo wheel and for color wheel, also rainbow flow effect for color wheel
<b>Housing color:</b>	Black, White
<b>Dimming:</b>	from 0% to 100%
<b>Input voltage, V:</b>	220V
<b>Control system:</b>	DMX-512+RDM
<b>Ingress Protection Rating, IP:</b>	IP65
<b>Operating temperature:</b>	-40°C ~ +50°C
<b>Cooling system:</b>	Natural Convection
<b>Guaranteed lifetime, hours:</b>	>50 000h

Article	Name	Power, W	Dimensions, mm	Input voltage, V	Beam angle, degrees	Color temperature, K	Weight, kg
369180010	NEO 200 GOBO 180W DMX-512 RDM 220V IP66	180W	280x483x410	220V	1.7°	7 colors	22.0