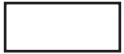


## view



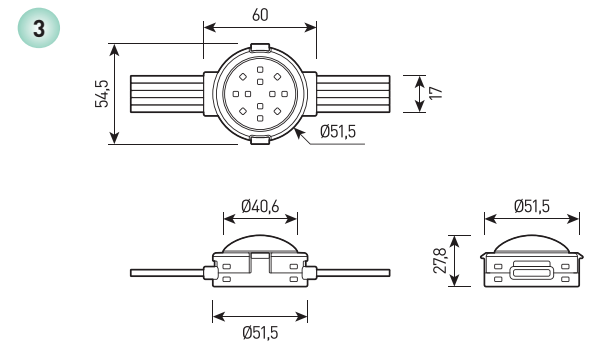
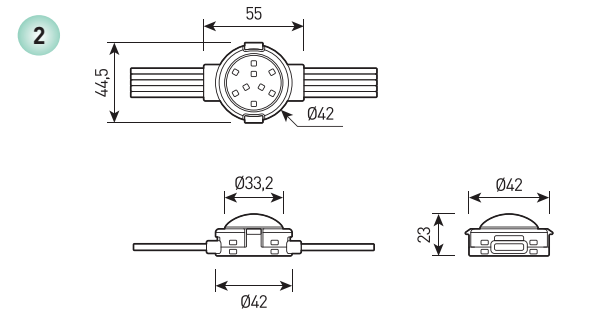
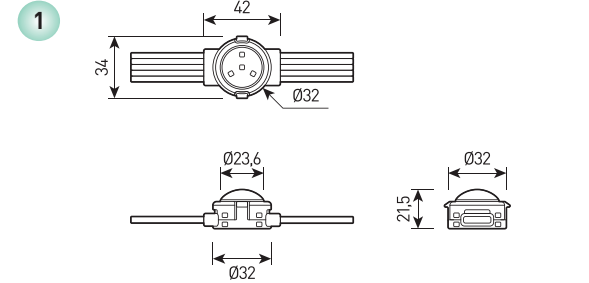
1 PIN S

2 PIN M

3 PIN L



## size



# PIN

LED dot light for lighting facades of buildings

|                                       |  |
|---------------------------------------|--|
| <b>Housing:</b>                       | Pressure die-cast aluminum alloy with polyester powder paint |
| <b>Beam angle:</b>                    | 120°   |
| <b>Housing color:</b>                 | Black, White   |
| <b>IES protection classes:</b>        | Class III (SELV)   |
| <b>Color temperature:</b>             | RGB, RGBW  |
| <b>Input voltage:</b>                 | 24 V   |
| <b>Control system:</b>                | DMX-512  |
| <b>Ingress Protection Rating, IP:</b> | IP66   |
| <b>Operating temperature:</b>         | -40°C ~ +50°C  |
| <b>Weight:</b>                        | 0.04–0.08 kg   |

| Article   | Name                             | Power | Dimensions, mm | Input voltage | Beam angle | Color temperature | Weight, kg |
|-----------|----------------------------------|-------|----------------|---------------|------------|-------------------|------------|
| 809001010 | PIN S 1W RGB DMX-512 24V IP66    | 1 W   | 42x34x22       | 24 V          | 120°       | RGB               | 0.04       |
| 809001012 | PIN S 1W RGBW DMX-512 24V IP66   | 1 W   | 42x34x22       | 24 V          | 120°       | RGBW              | 0.04       |
| 809001014 | PIN M 1.8W RGB DMX-512 24V IP66  | 1.8 W | 55x45x23       | 24 V          | 120°       | RGB               | 0.06       |
| 809001016 | PIN M 1.8W RGBW DMX-512 24V IP66 | 1.8 W | 55x45x23       | 24 V          | 120°       | RGBW              | 0.06       |
| 809001018 | PIN L 3W RGB DMX-512 24V IP66    | 3 W   | 60x55x28       | 24 V          | 120°       | RGB               | 0.08       |
| 809001020 | PIN L 3W RGBW DMX-512 24V IP66   | 3 W   | 60x55x28       | 24 V          | 120°       | RGBW              | 0.08       |