

PISTOL S, M, L

USER MANUAL



The luminaire shall be installed by a qualified electrician and wired in accordance with the latest IEE electrical regulations or the national requirements.

Installation Instructions

A. Technical Parameters

Product name	PISTOL
Product code	762
Input Voltage	DC 24V, AC 220V
Power	1.5W - 16W
Power Factor	>0.9
Beam Angle	5°, 12.5°, 15°, 20°, 28°, 30°, 45°, 60°, 15x30°, 10x60° 15x30°, 10x60°
Color temperature	SINGLE COLOR, R, G, B
Colour rendering index	>70 CRI
Working Environment	-40°C to +50°C
Dimensions	D50x65mm, D70x90mm, D95x124mm
Net weight	0.5 - 1.2 Kg
Control Mode	On/Off

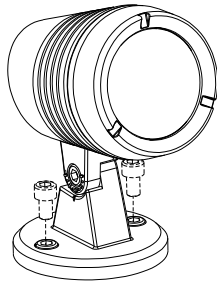
Installation Instructions

Observe the following dos and don'ts

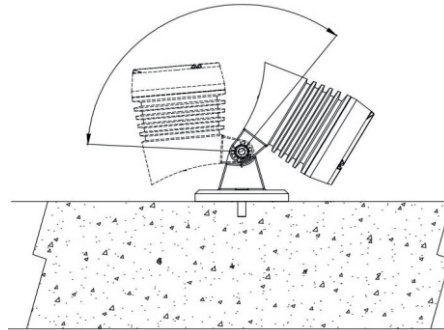
1. Install in the IP 65 environment or beneath the IP65.
2. Prohibit punching any position of lamps
3. Please turn off the power and contact the dealer for problems in connection or other abnormal cases.
4. Installed by the qualified electrician holding a certificate.
5. Prohibit operating the lamps beyond the voltage scope as nation stipulated
6. Don't make the external power cable exposed during wiring.

Installation on the mounting surface

1. According to step 1, 2, fix the bracket on the mounting surface.
2. According to step 2, connect the wire through the hole of the bracket and fix it.
3. According to step 2, fix and adjust the bracket as your project needed.



Step 1

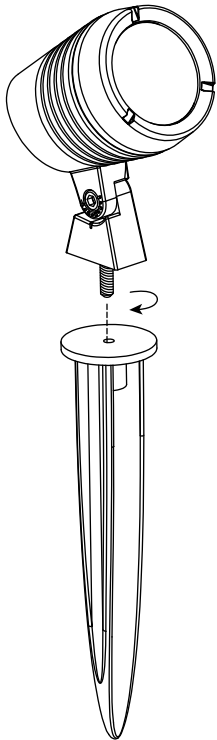


Step 2

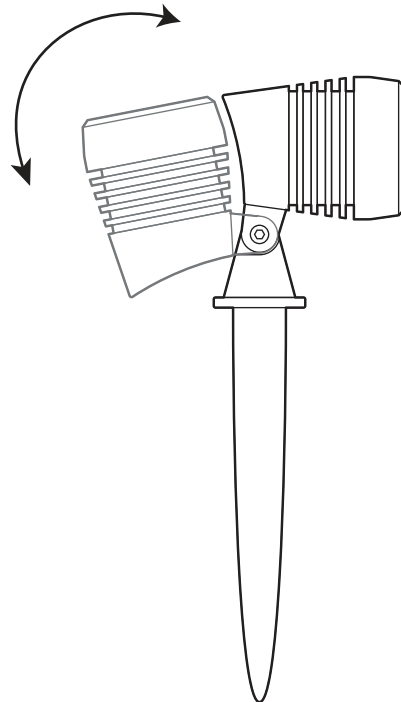
Installation Instructions

Installation on the ground

1. According to step 1, install the spike in the ground and fix the lamp on it by screwing it into the spike.
2. According to step 2, fix and adjust the bracket as your project needed.



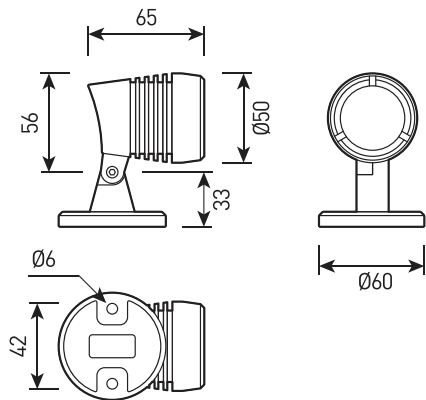
Step 1



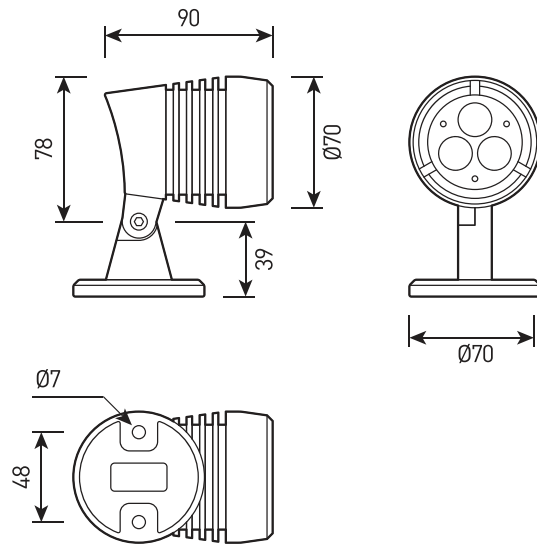
Step 2

Overall dimensions

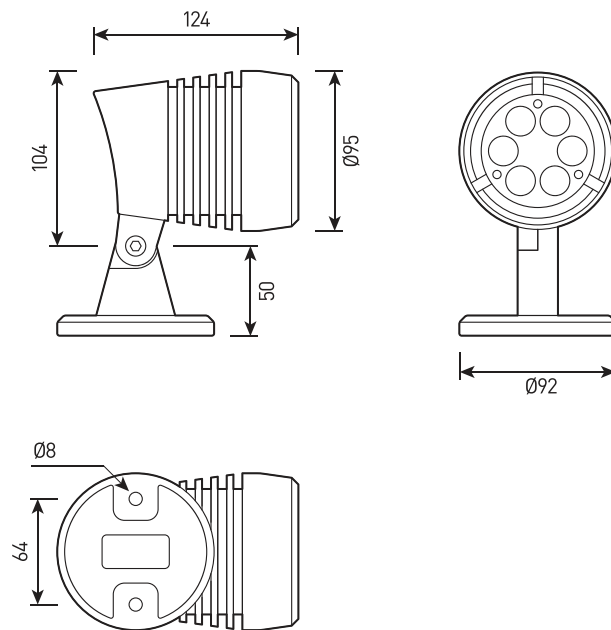
PISTOL S



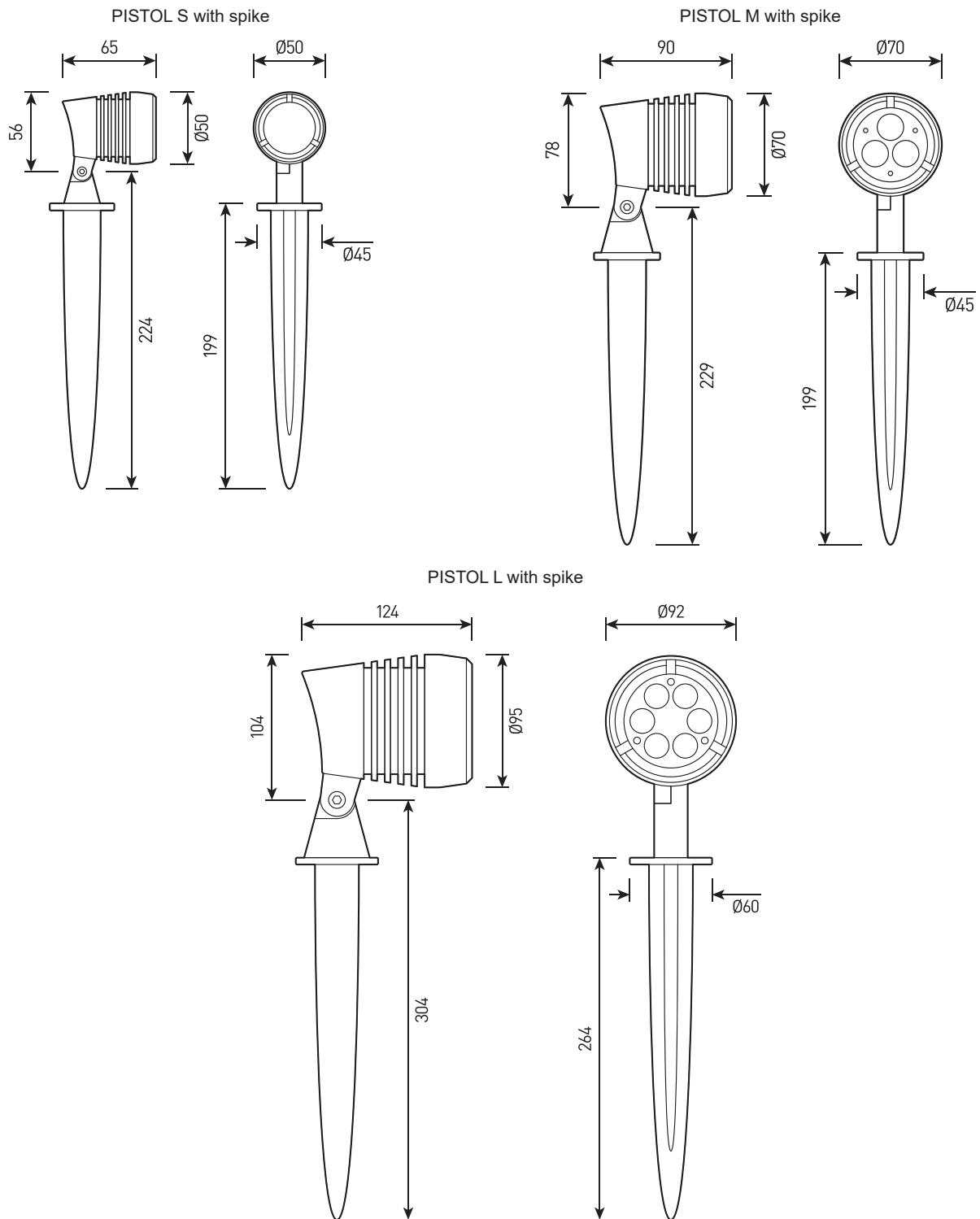
PISTOL M



PISTOL L

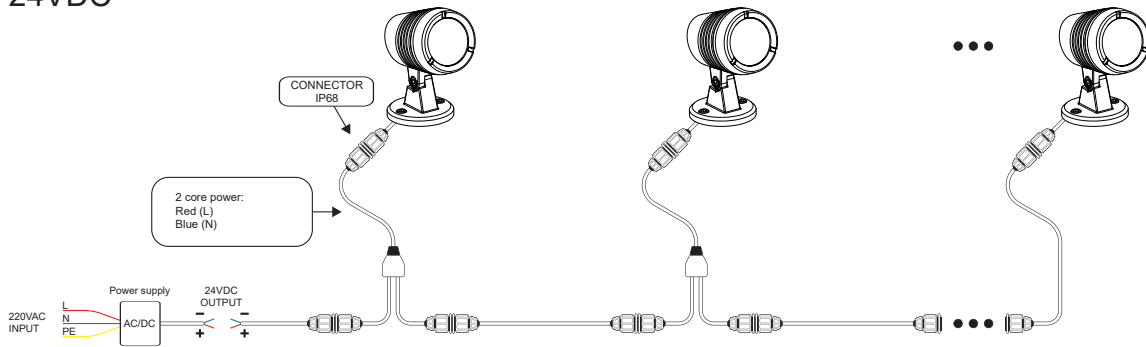


Overall dimensions



Connection diagram

24VDC



220VAC

