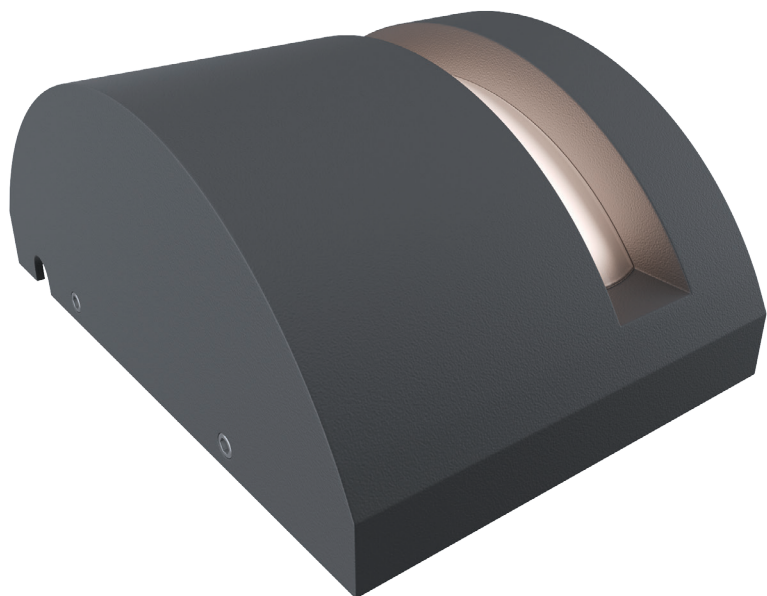


## view

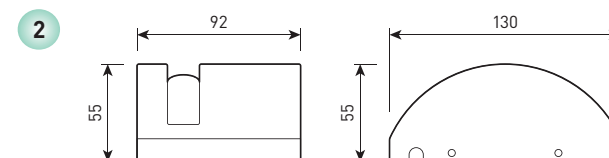
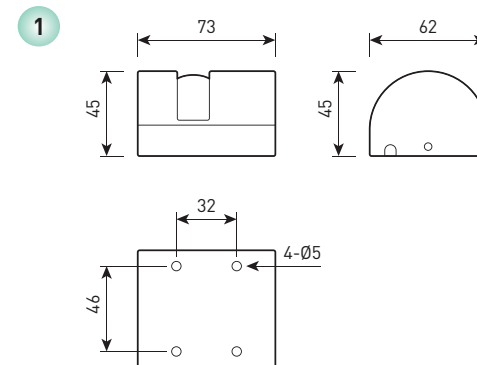


1 SOL S

2 SOL M



## size



# SOL

LED luminaire for architectural lighting of window openings and creating a decorative effect

<b>Housing:</b>	Pressure die-cast aluminum alloy with polyester powder paint
<b>Beam angle:</b>	2°x120°
<b>Housing color:</b>	Grey, White, RAL
<b>IES protection classes:</b>	Class I (SELV)
<b>Color temperature:</b>	2700K, 3000K, 4000K, AMBER
<b>Input voltage:</b>	24V, 220V
<b>Control system:</b>	On/Off
<b>Ingress Protection Rating:</b>	IP66
<b>Operating temperature:</b>	-40°C ~ +50°C
<b>Weight:</b>	0.3-0.6 kg

Article	Name	Power	Dimensions, mm	Input voltage	Beam angle, degrees	Color temperature	Weight, kg
815012022	SOL S 6W SINGLE COLOR 24V/220V IP66	6 W	62x73x45	24 V / 220 V	2°x120°	2700K, 3000K, 4000K, AMBER	0.3
815012024	SOL M 6W SINGLE COLOR 24V/220V IP66	12 W	130x92x55	24 V / 220 V	2°x120°	2700K, 3000K, 4000K, AMBER	0.6