

TABLERON

USER MANUAL



The luminaire shall be installed by a qualified electrician and wired in accordance with the latest IEE electrical regulations or the national requirements.

Installation Instructions

A. Technical Parameters

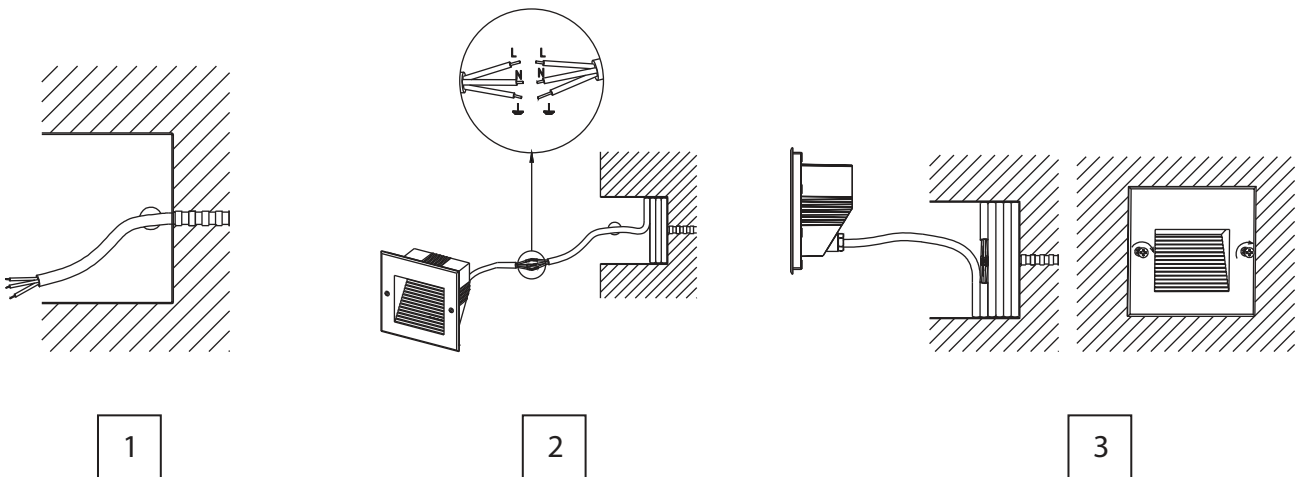
Product name	TABLERON S, SQ, Z, ZG, W, WG
Product code	760
Input Voltage	DC 24V, AC 220V
Power	2 - 5W
Power Factor	>0.9
Beam Angle	Assymetric
Color temperature	SINGLE COLOR
Colour rendering index	>80 CRI
Working Environment	-40°C to +50°C
Dimensions	160x160x79mm, 155x75x62mm, 180x110x61mm, 175x100x62mm
Net weight	0.7 - 1.83 Kg
Control Mode	On/Off, PWM

Installation Instructions

In accordance with step 1, remove the cable through the mounting cup.

In accordance with step 2, connect the power cable to the lamp, observing the tight connection.

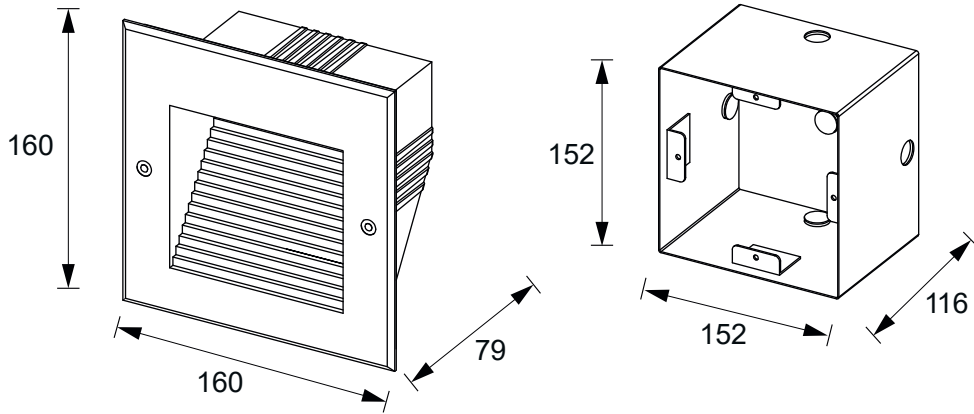
In accordance with step 3, insert the lamp into the glass and fix it with screws.



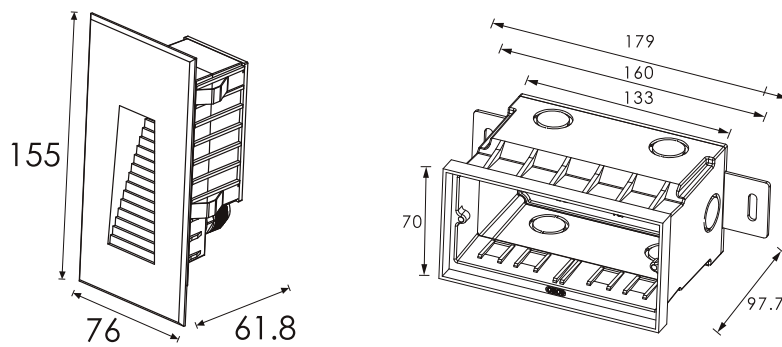
Notes:

- There are no special requirements for the installation direction.
- When receiving the device, check the article, color temperature, protection class, power cable.

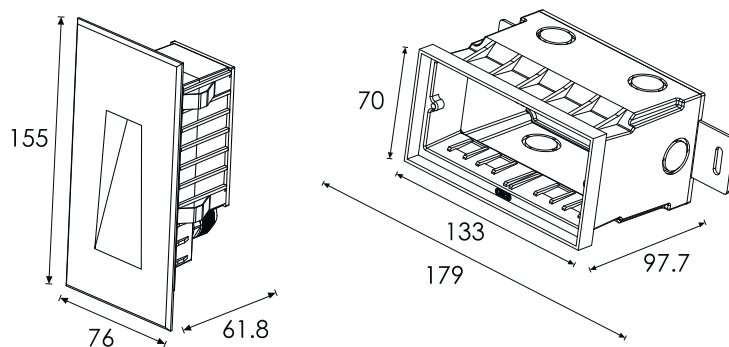
Overall dimensions



TABLERON SQ

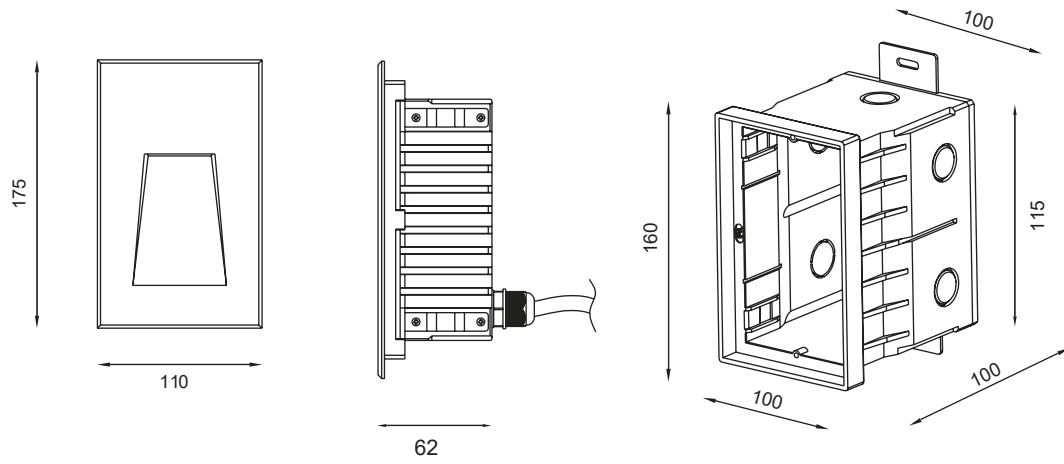


TABLERON SG

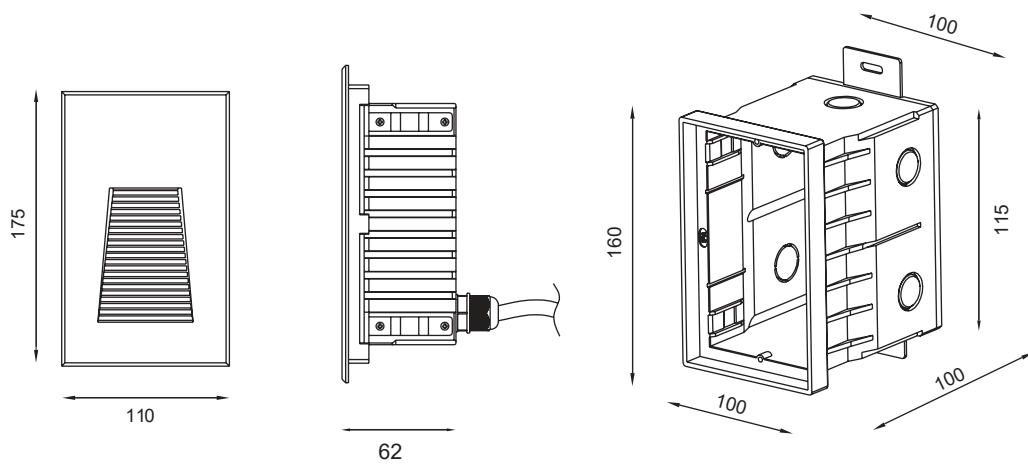


TABLERON S

Overall dimensions

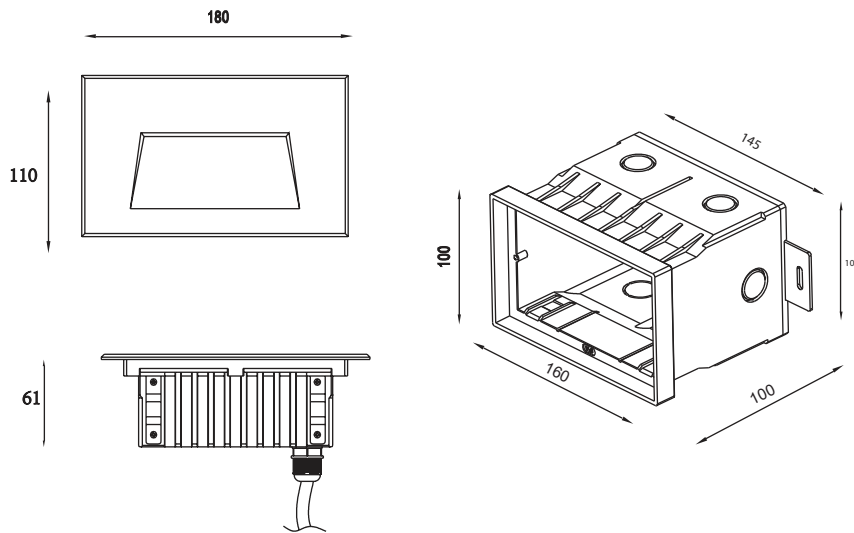


TABLERON Z

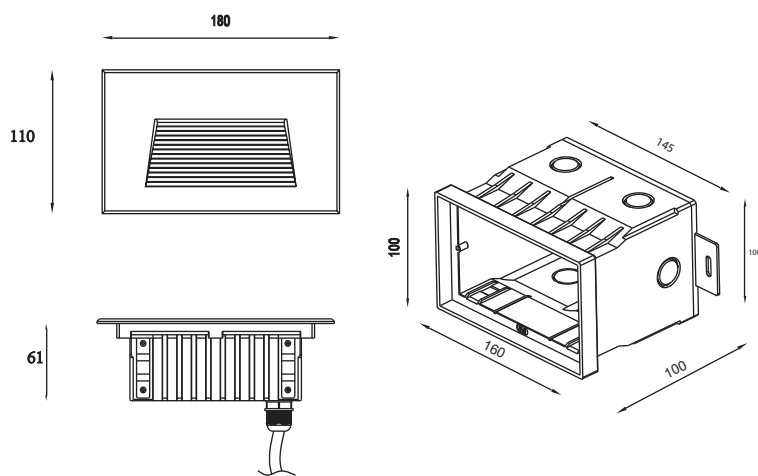


TABLERON ZG

Overall dimensions



TABLERON W



TABLERON WG