

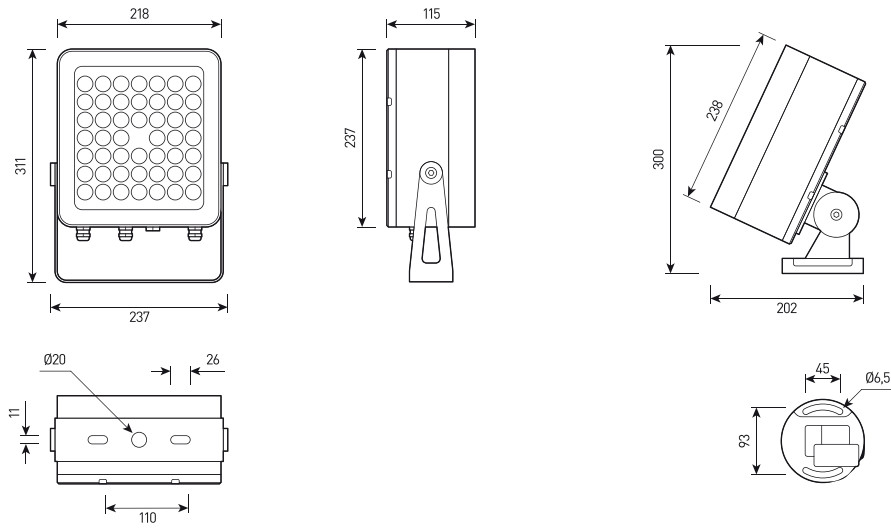
Tracker L

USER MANUAL



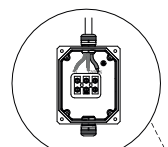
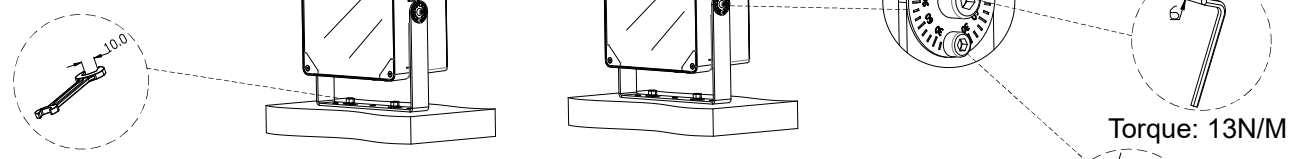
1. The luminaire shall be installed by a qualified electrician and wired in accordance with the latest IEE electrical regulations or the national requirements.
2. No supplied water-proof box, installation should be advised by qualified professional.
3. The external flexible cable can not be replaced. If the cable is damaged, the luminaire should be discarded.

Overall dimension:

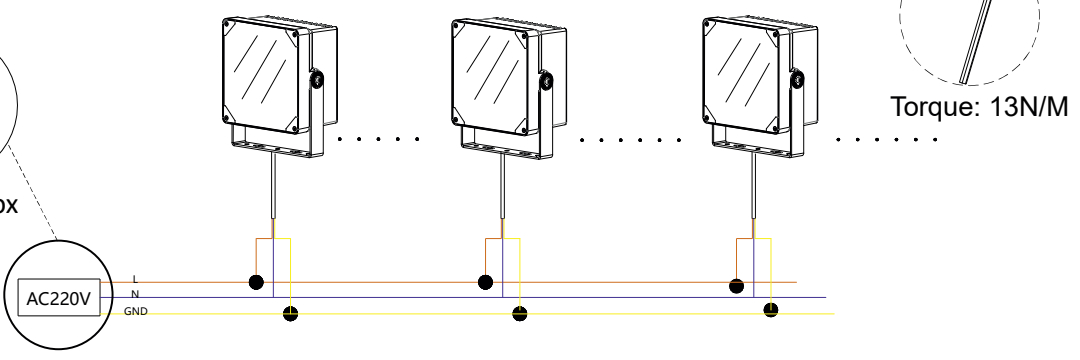


1 Torque: 15 N/M

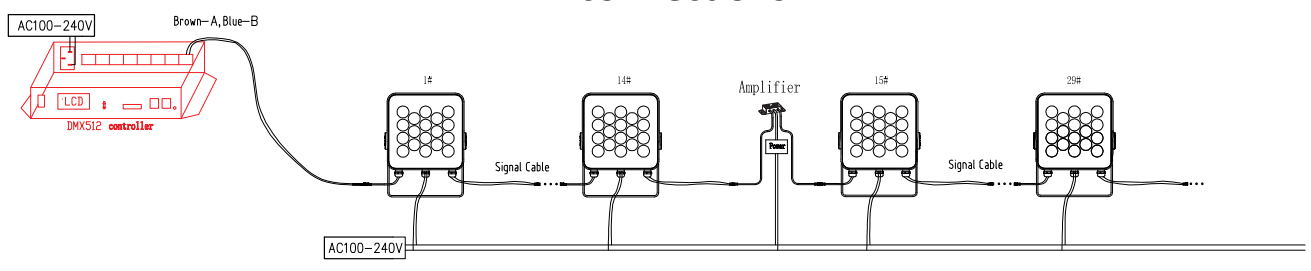
2



Waterproof Box



DMX connections



IMG LIGHTING

Podbielskistraße 333
30659 Hannover
Deutschland
info@img-lighting.com

www.img-lighting.com