

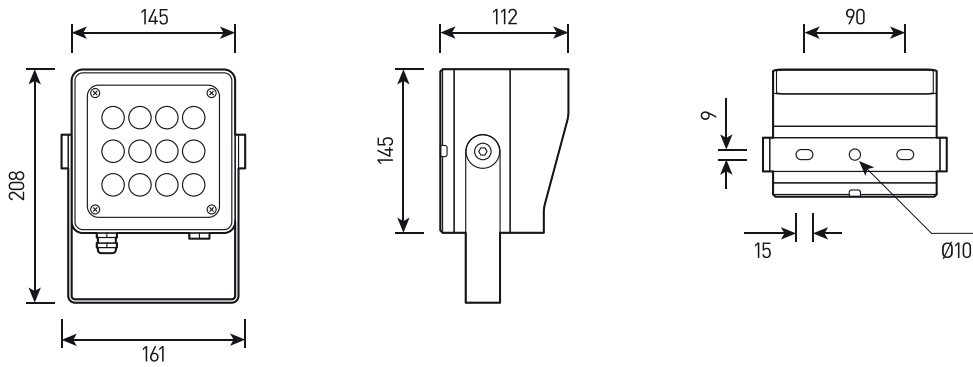
Tracker M

USER MANUAL



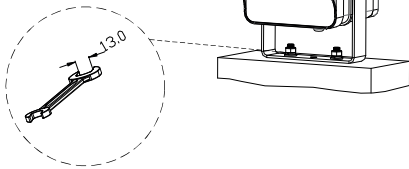
1. The luminaire shall be installed by a qualified electrician and wired in accordance with the latest IEE electrical regulations or the national requirements.
2. No supplied water-proof box, installation should be advised by qualified professional.
3. The external flexible cable can not be replaced. If the cable is damaged, the luminaire should be discarded.

Overall dimension:



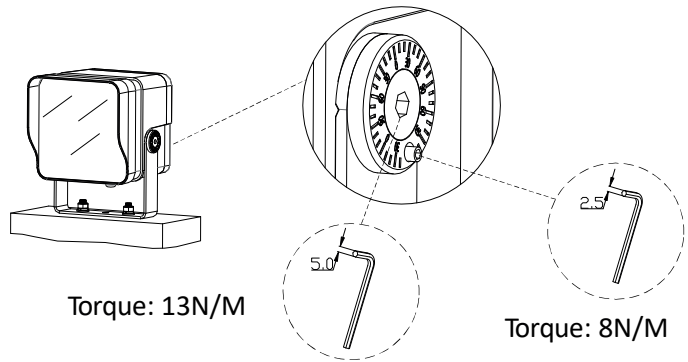
1

Torque: 15N/M

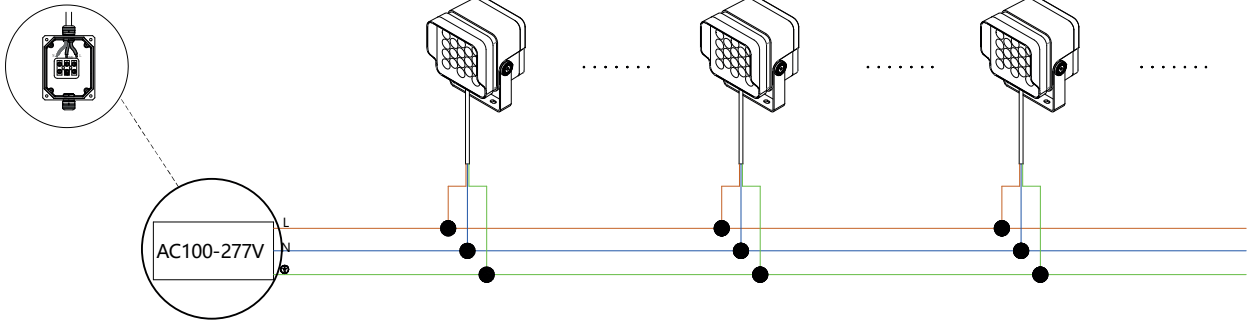


2

Torque: 13N/M



Waterproof Box



DMX connections

