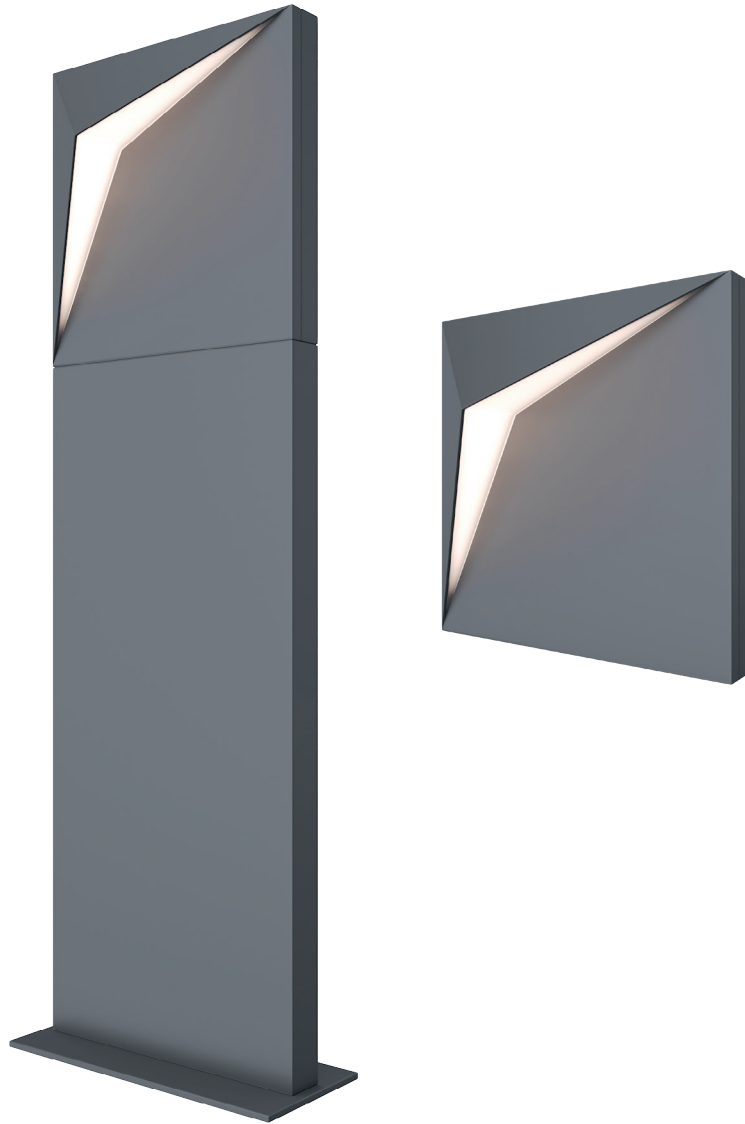


WINKEL

USER MANUAL



Warning: In order to avoid the accidents which threaten the personal safety like fixture damages, electric shock and fire, please carry out the installation and application strictly following the instruction book. Do not transform or change parts on your own.

Warning: Before installation, the electricity has to be cut off to avoid electric shock.

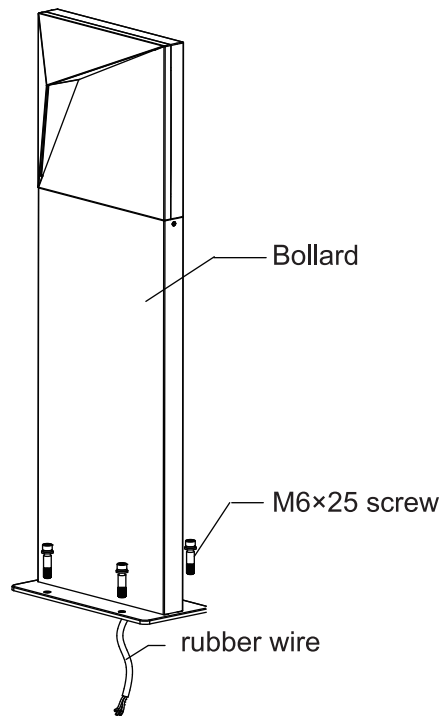
Installation Instructions

Technical Parameters

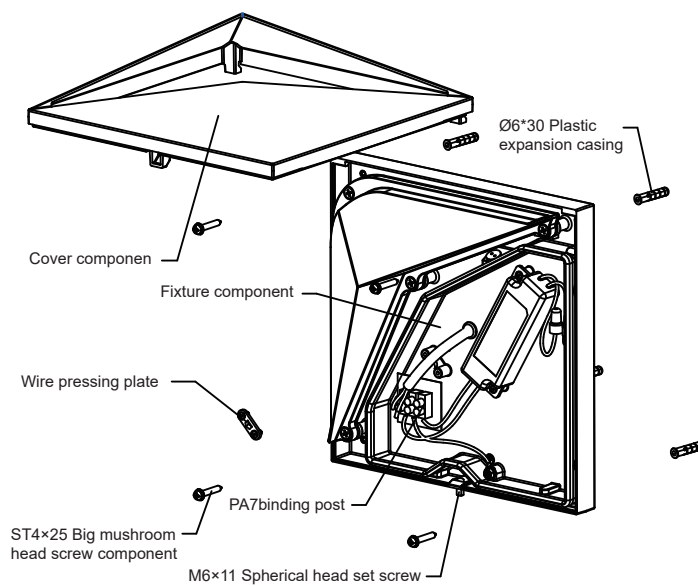
Product name	WINKEL
Product code	692
Input Voltage	AC 220V
Power	8W
Power Factor	>0.9
Beam Angle	120°
Color temperature	SINGLE COLOR
Colour rendering index	>70 CRI
Working Environment	-40°C to +50°C
Dimensions	220x720x104mm, 220x220x79mm
Net weight	2.2 – 3.2 Kg
Control Mode	On/Off

Installation Instructions

WINKEL 220×720 mm



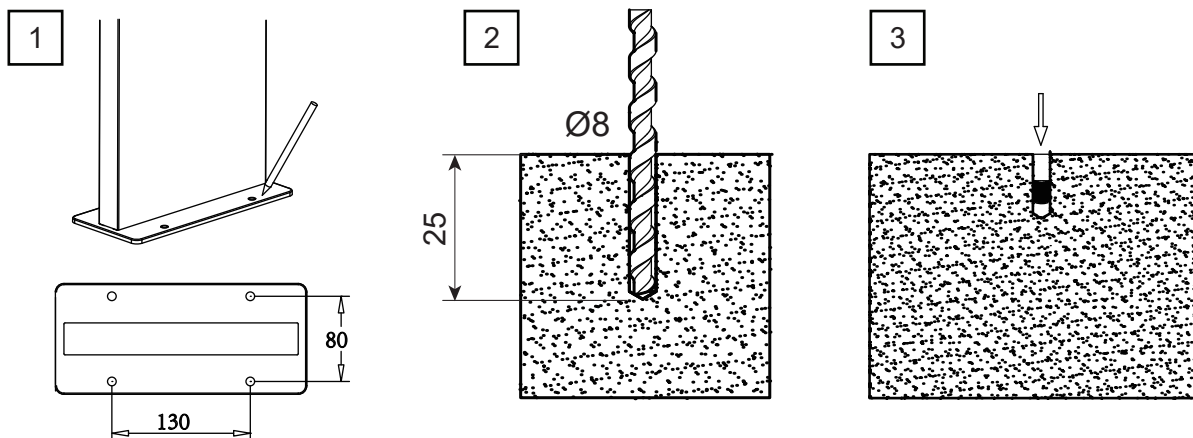
WINKEL 220×220 mm



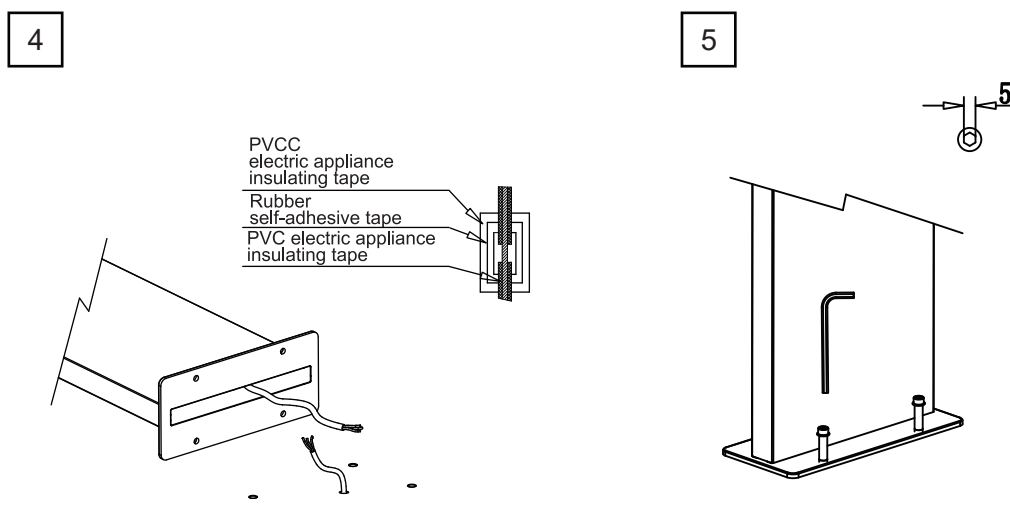
Installation Instructions

WINKEL 220×720 mm

1. Fixture installation hole locating.
2. Drill with the impact drill: Drill diameter $\text{Ø}8$, drill depth 25 mm.
3. Preassemble the expansion casing into the hole (in an expansion state) with the casing in the same level with the ground. then take out the threaded rod and washer.



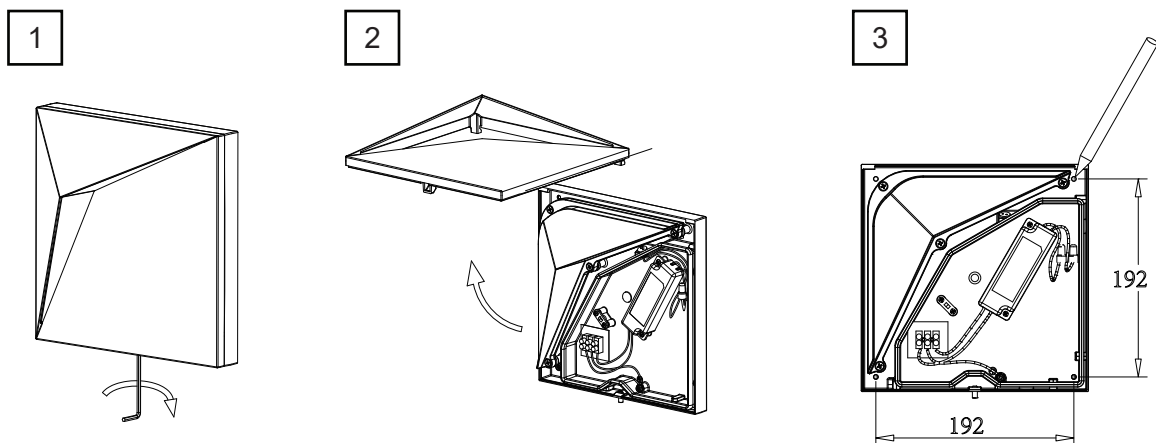
4. After the fixtures wiring is done. Wrap the wiring with PVC electric appliance insulating tape first. Then wrap them with the rubber self-adhesive tape as the second layer. The third layer is again the PVC electric appliance insulating tape. The operation should obey the electrician standard.
5. Cut off the power source, put the washer into the threaded rod and tighten the screw



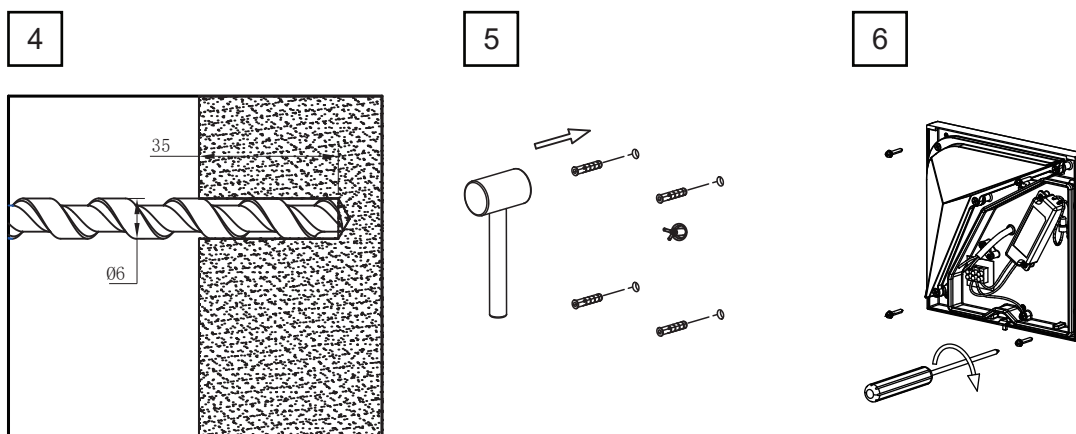
Installation Instructions

WINKEL 220×220 mm

1. Pre-disassemble the M6×11 set screw with the 3mm hexagon wrench in the accessory bag.
2. Take out the cover component.
3. Fixture installation locating: Place the installation bracket to the target installation position, draw a circle with a pencil as a mark.



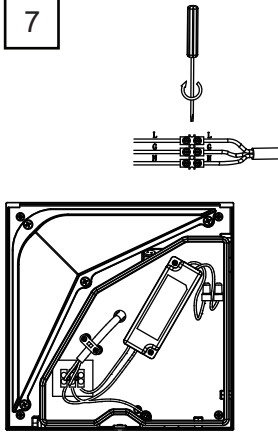
4. Drill with the impact drill: Drill diameter $\varnothing 6$, drill depth 35mm.
5. Knock the expansion screw into the wall.
6. Make the outer wires go through the rubber hole of the fixture body component. Fix the fixture with ST4×25 self-tapping screw.



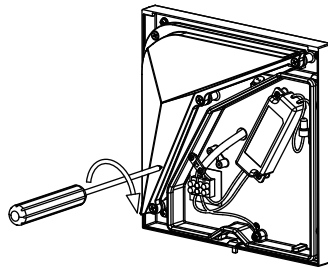
Installation Instructions

7. Connect the outer wires to the binding post and lock tightly. Press the wires tightly with the wire pressing plate.
8. Install the cover component into the fixture component in the way of buckling in with the two snap joints on the top.
9. Lock the M6×11 set screw with the 3mm hexagon wrench.

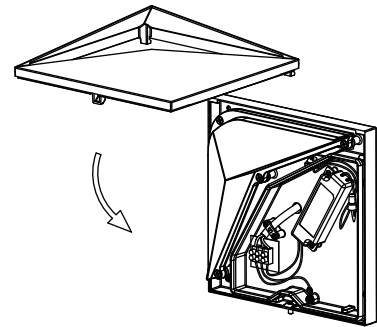
7



8

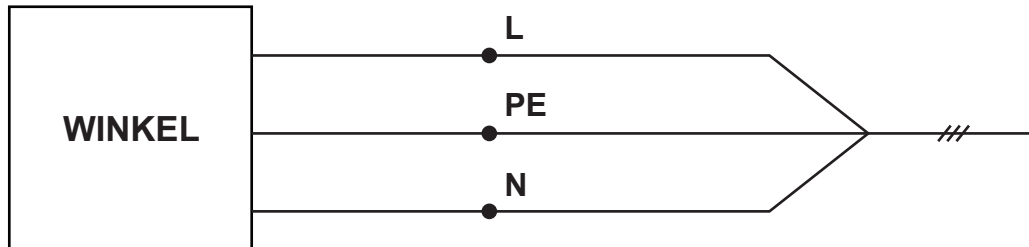


9



Installation Instructions

Example wiring diagram



Overall dimensions

